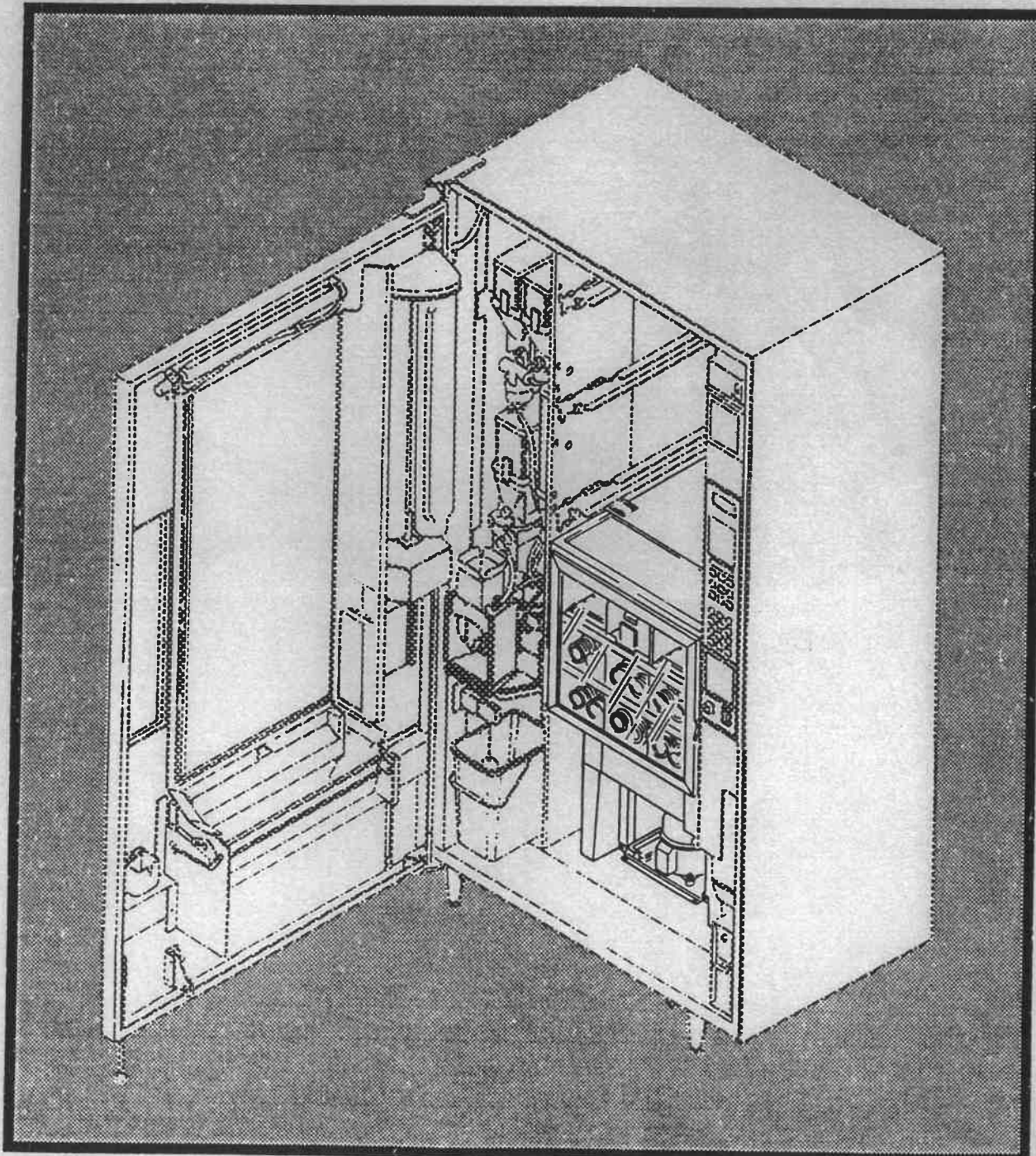

PARTS MANUAL

REFRIGERATED/FROZEN FOOD MODULE



*NO Refrigerator Center
Combo*

475/476

Table of Contents

Figure 1. Refrigerated Food Module Option	1
Figure 2. Delivery Pan Assembly	5
Figure 3. Fluorescent Light Assembly	8
Figure 4. Refrigerated Food Module and Housing Assembly	10
Figure 5. Refrigerated Food Module Assembly	12
Figure 6. Refrigeration Module Assembly - Final	17
Figure 7. Tray Assembly Refrigerated Food Module Assembly	19
Figure 8. Refrigerated Food Module Door Assembly	20
Figure 9. Left Hand Drive Arm Assembly	22
Figure 10. Right Hand Drive Arm Assembly	24
Figure 11. Motor Mounting Bracket Assembly	26
Figure 12. Door Frame Assembly	28
Figure 13. Refrigeration Module Assembly	30
Figure 14. Refrigeration Module Housing Assembly	32
Figure 15. Pusher Module Assembly	34
Figure 16. Belt Module Assembly	36
Figure 17. Spiral Module Assembly	38
Figure 18. Frozen Food Module Option	40
Figure 19. Frozen Food Module and Housing Assembly	43
Figure 20. Frozen Food Module Assembly	45
Figure 21. Refrigeration Module Assembly - Frozen - Final	51
Figure 22. Refrigeration Frozen Module Assembly	53
Figure 23. Frozen Module Housing Assembly	55
Figure 24. Frozen Food Module Door Assembly	57

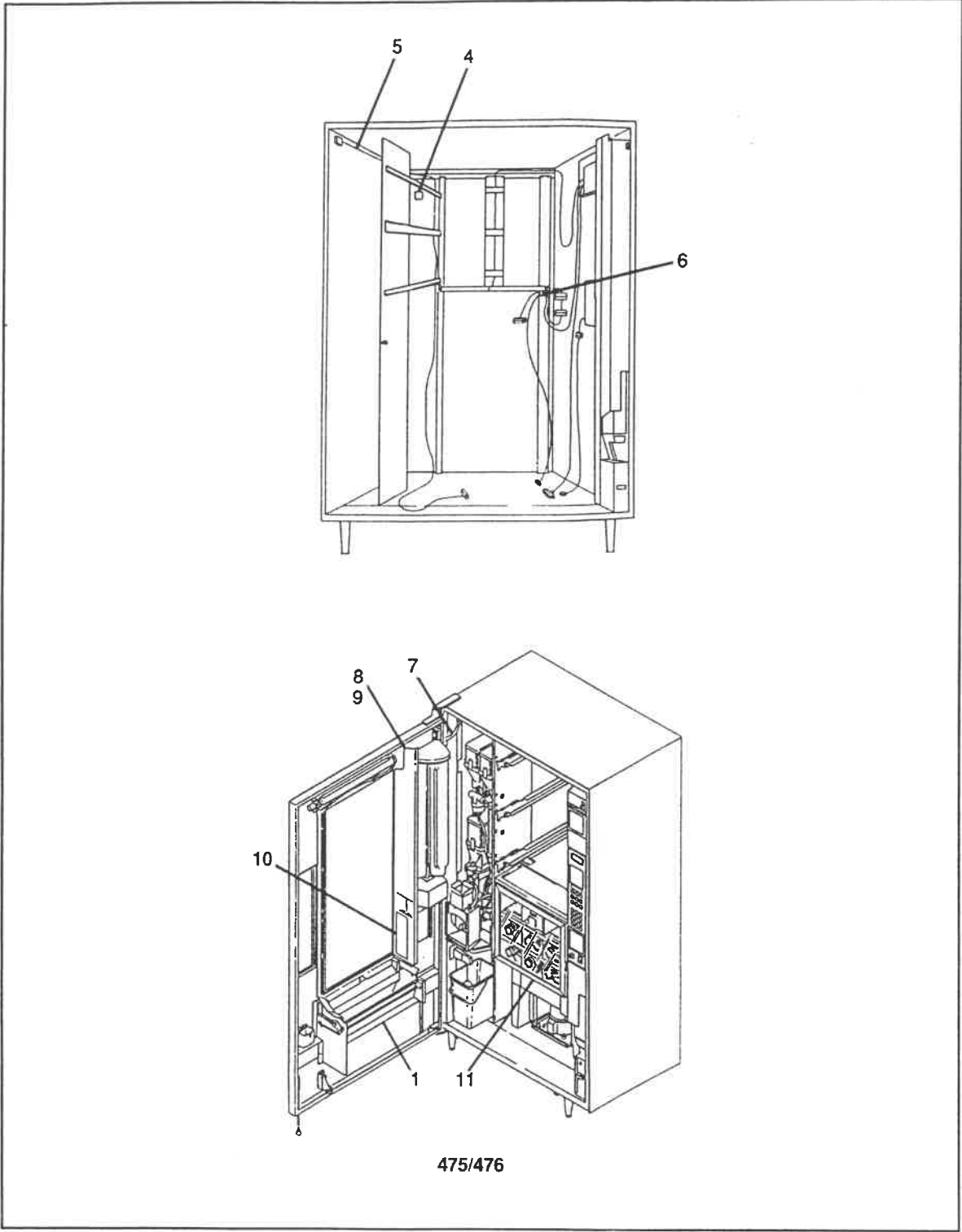


Figure 1. Refrigerated Food Module Option (Sheet 1 of 2)

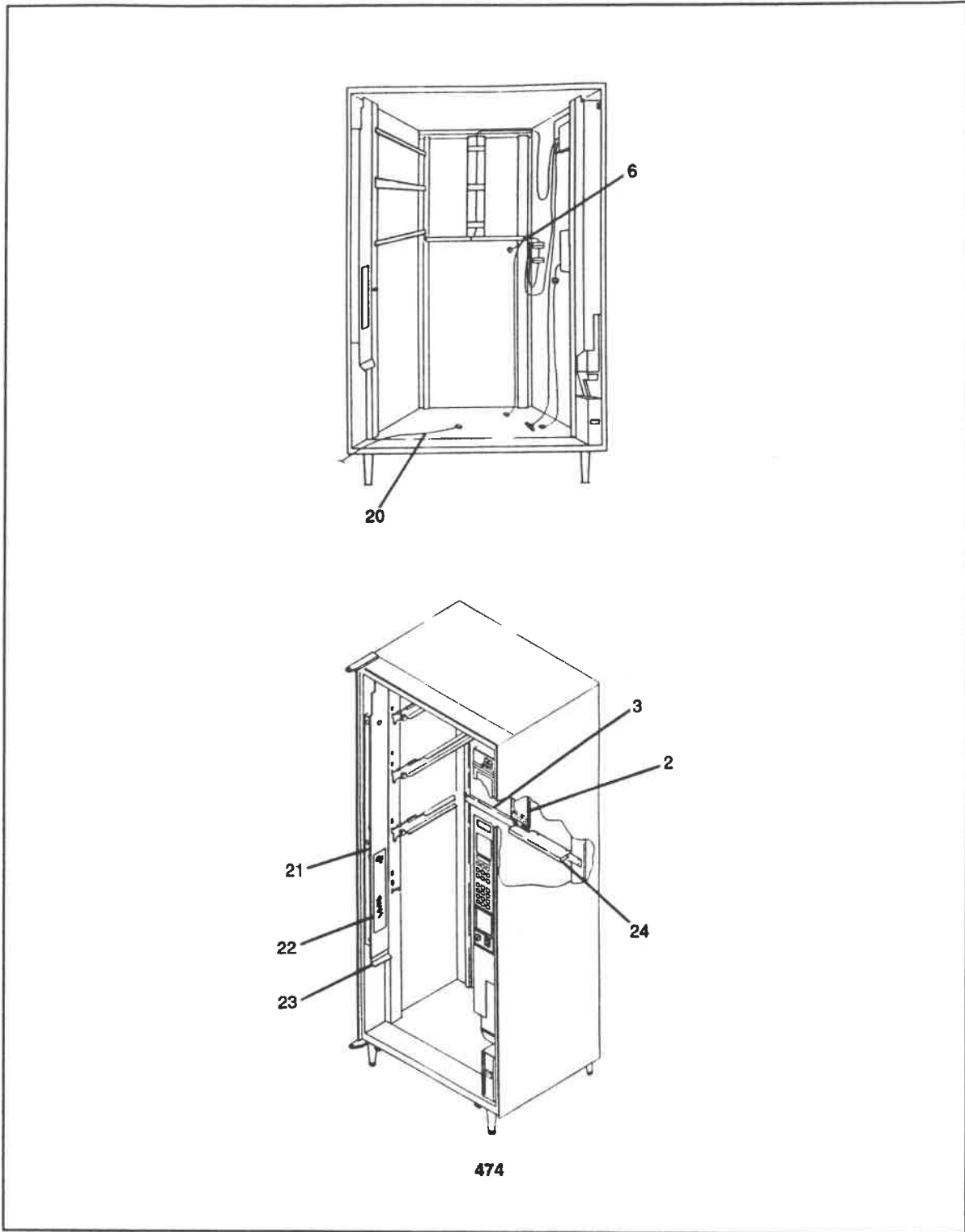


Figure 1. Refrigerated Food Module Option (Sheet 2 of 2)

FIGURE- INDEX NUMBER	1 2 3 4 5 6 • • • • •	DESCRIPTION	PART NO.	474	475/6
				QTY	QTY
1		Refrigerated Food Module Option	-----	1	1
-1		•Delivery Pan Assembly (See Figure 2 for Breakdown)	4402018	1	1
-2		•Channel - Receptacle Mounting	4401023	1	1
		•Screw - #8-32 x .31, Hex Hd, T/F, BLK (AP)	1451097	4	4
-3		•Angle - Receptacle Mounting	4401026	1	1
		•Screw - #8-32 x .31, Hex Hd, T/F, BLK (AP)	1451097	4	4
-4		•Screen Assembly - Cabinet Back	6131041	N/A	1
-5		•Harness - Door To Compressor - Ref. 3 Food Module (Used on model 475/476 only)	4421002	N/A	1
-6		•Retainer - Harness, "J" Type, 3/8ID.	1452139	1	1
-7		•Harness - Delivery Pan - Ref. 3 Food Module (Used on model 475/476 only)	4422002	N/A	1
-8		•Brace - End Plate - Left (Used on model 475/476 only)	4422005	N/A	1
		•Screw - #8-32 x 3/8, THS, BLK (AP)	1170206	N/A	3
		•Nut - #8-32 KEPS (AP)	9900081	N/A	3
-9		•End Plate - Display - Left (Used on model 475/476 only)	4422006	N/A	1
		•Screw - #8-32 x .31, Hex Hd, T/F, BLK (AP)	1451097	N/A	7
-10		•Fluorescent Light Assembly (See Figure 3 for Breakdown)	4422007	N/A	1
		•Screw - #8-32 x 3/8, THS, BLK (AP)	1170206	N/A	4
-11		•Housing Assembly - Refrigerated Food Module and (See Figure 4 for Breakdown)	-----	1	1
-12		•Price Roll - Dollars (Not shown)	1477015	11	11
-13		•Label - Item Letters - A0 - A9 (Not shown)	1477076	1	1
-14		•Label - Item Letters - B0 - B9 (Not shown)	1477077	1	1
-15		•Label - Item Letters - C0 - C9 (Not shown)	1477078	1	1
-16		•Label - Item Letters - D0 - D9 (Not shown)	1477079	1	1
-17		•Label - Item Letters - E0 - E9 (Not shown)	1477080	1	1
-18		•Label - Item Letters - F0 - F9 (Not shown)	1477081	1	1
-19		•Price Roll - Cents (Not shown)	1477014	20	20
-20		•Harness - Delivery Pan - Ref. 2 Food Module (Used on model 474 only)	4402026	1	N/A
---		•End Plate Assembly - W/Light - LH Display (Used on model 474 only)	4401011	1	N/A
-21		••End Plate - LH Display (This part is listed here for reference only)	4401027	Ref	N/A
-22		••Fluorescent Light Assembly (See Figure 3 for Breakdown)	4401014	1	N/A
		••Screw - #8-32 x 3/8, THS, BLK (AP)	1170206	4	N/A
-23		•Deflector - Product	4401008	1	N/A
		•Screw - #8-32 x .31, Hex Hd, T/F, BLK (AP)	1451097	2	N/A
-24		•Shield - Cable	4401024	1	1
		•Screw - #8-32 x .31, Hex Hd, T/F, BLK (AP)	1451097	2	2

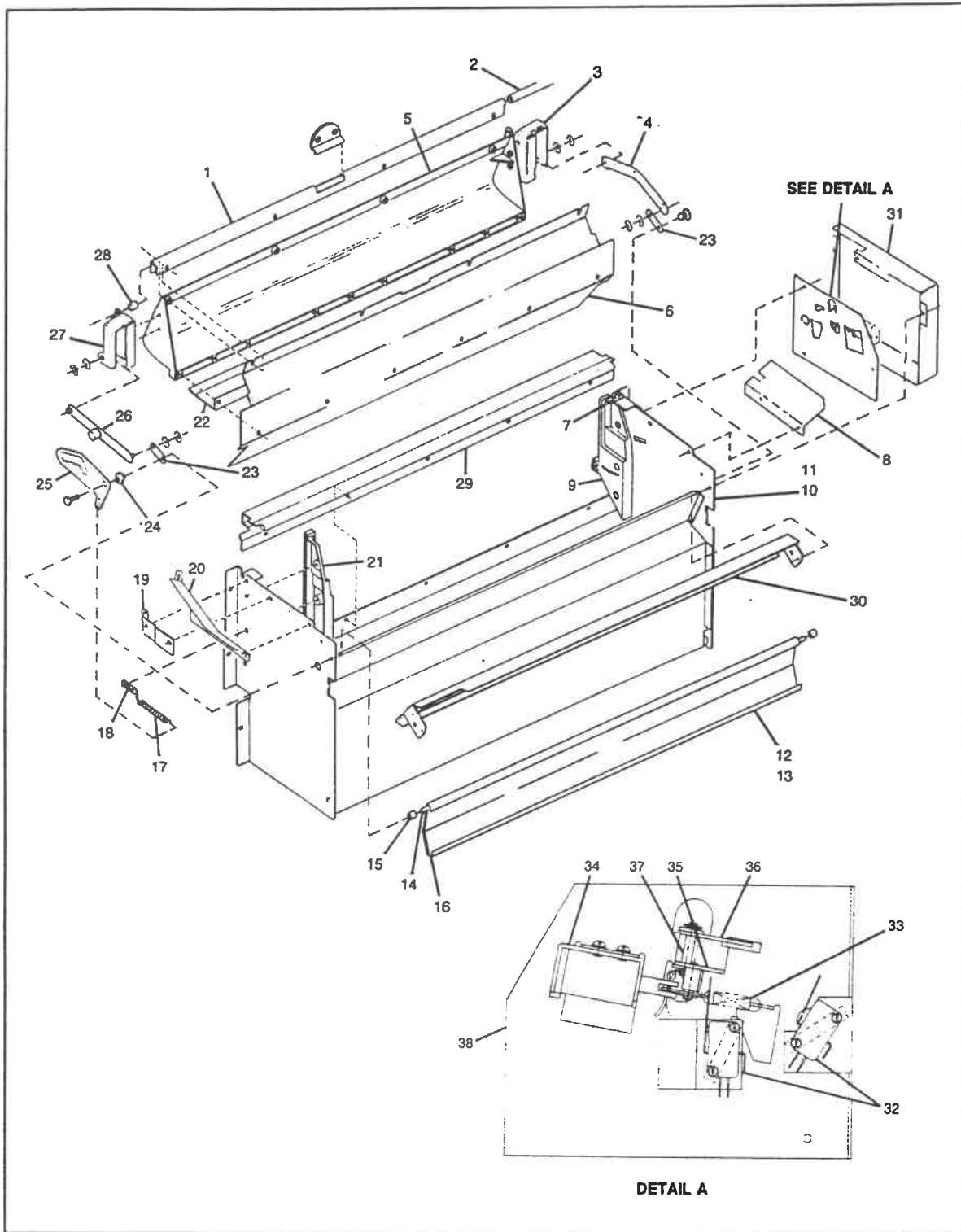


Figure 2. Delivery Pan Assembly

FIGURE- INDEX NUMBER	1 2 3 4 5 6 • • • • •	DESCRIPTION	474/475/476	
			PART NO.	QTY
2		Delivery Pan Assembly (See Figure 1, Index 1 for NHA)	4402018	Ref
-1		•Channel - Door	1462035	1
		•Screw - #8-32 x 3/8, THS, BLK (AP)	1170206	4
		•Nut - #8-32 (AP)	1402052	4
-2		•Shaft - Door Pivot	1482002	1
-3		•Actuator - Delivery Door - LH	1472272	1
		•Screw - #8-32 x 3/8, THS, BLK (AP)	1170106	2
		•Nut - #8-32 - Self-Locking (AP)	1412046	2
-4		•Actuator Assembly - Left	4402017	1
		•Ring - Retaining - "E" Type - 5/16 (AP)	9900146	2
		•Washer - Brass - 9/16OD x 5/16ID (AP)	9900171	2
-5		•Door - Delivery	1482170	1
-6		•Liner - Pilferage Door	1482163	1
		•Screw - #8-18 x 3/8, BLK (AP)	7207019	4
-7		•Bracket - Door Pivot - LH	1472069	1
		•Screw - #8-32 x 3/8, THS, BLK (AP)	1170206	2
		•Nut - #8-32 KEPS (AP)	9900081	3
-8		•Deflector - LH	4402028	1
		•Screw - #8-32 x 3/8, THS, BLK (AP)	1170206	2
		•Nut - #8-32 KEPS (AP)	9900081	3
-9		•Filler - Left	1412023	1
		•Bolt - Carriage - #8-32, BLK (AP)	1306140	3
		•Nut - #8-32 KEPS (AP)	9900081	2
-10		•Delivery Pan Weldment	4402000	1
-11		•Pad - Delivery Pan (Self-Adhesive)	4742012	3
-12		•Door Assembly - Rear Delivery	1482171	1
-13		•Tape - Vinyl Foam	1412058	6
-14		•Washer - 3/8OD x 9/16ID	1472087	2
-15		•Spacer	1472083	2
-16		•Clip - Canoe	4042556	2
-17		•Spring - Elevator Guide Arm	4246044	1
-18		•Bracket - Spring	2342110	1
-19		•Bracket - Door Pivot - RH	1472068	1
		•Screw - #8-32 x 3/8, THS, BLK (AP)	1170206	2
		•Nut - #8-32 KEPS (AP)	9900081	3
-20		•Deflector Assembly - RH	4402014	1
		•Screw - #8-32 x 3/8, THS, BLK (AP)	1170206	2
		•Nut - #8-32 KEPS (AP)	9900081	3
-21		•Filler - Right	1412022	1
		•Bolt - Carriage - #8-32, BLK (AP)	1170206	1
		•Nut - #8-32 KEPS (AP)	9900081	3
-22		•Angle - Delivery Door	1462073	1
-23		•Actuator - Rear Pivot	1472145	2
		•Screw - #8-32 x 3/8, THS, BLK (AP)	1170206	1
		•Screw - #8-32 x 5/8, PHS, W/LW (AP) (Right Side Only)	9900202	1
		•Washer - Scavenger Bar - 9/16ID (AP) (Right Side Only)	2204093	1

FIGURE- INDEX NUMBER	1 2 3 4 5 6 • • • • •	DESCRIPTION	474/475/476	
			PART NO.	QTY
-24		•Bushing - Delivery - Linkage	2342109	1
-25		•Plate - Door Retention	44042016	1
-26		•Actuator Assembly - Right	1472156	1
		•Ring - Retaining "E" Type - 5/16 (AP)	9900146	2
		•Washer - Brass - 9/16OD x 5/16ID (AP)	9900171	2
-27		•Actuator - Delivery Door - RH	1472271	1
		•Screw - #8-32 x 3/8, THS, BLK (AP)	1170206	2
		•Nut - #8-32 - Self-Locking (AP)	1412046	2
-28		•Spacer - Delivery Door	1472219	2
-29		•Pan - Delivery - Front	1482187	1
		•Bolt - Carriage - #8-32 x 3/8 BLK (AP)	1306140	4
		•Nut - #8-32 KEPS (AP)	9900081	4
-30		•Filler - Delivery Pan	4402032	1
		•Screw - #8-32 x 3/8, THS, BLK (AP)	1170206	4
-31		•Cover - Latch Mechanism	4402027	1
---		•Mounting Plate Assembly - Latch	4402021	1
		•Screw - #8-18 x 3/8, LGM (AP)	4721035	1
-32		••Switch - Lever - 1-7/8	4302319	2
		••Screw - #4-40 x 5/8, RHS, Mach (AP)	1217160	2
		••Fastener - Twin Type (AP)	4302316	1
-33		••Spring - Shelf Reset	1127808	1
-34		••Solenoid - 24VDC	4252030	1
		••Screw - #6-32 x 3/16, RHS, W/LW (AP)	9900090	2
		••Pin - Cotter - 3/32 x 3/4 (AP)	9900098	1
-35		••Link - Solenoid	4402013	1
		••Ring - Retaining - "E" Type - 0.187 (AP)	9900418	1
-36		••Latch and Stud Assembly	440023	1
		••Ring - Retaining - "E" Type - 0.187 (AP)	9900418	1
-37		••Pin - Latch	4402022	1
		••Ring - Retaining - "E" Type - 0.187 (AP)	9900418	1
-38		••Plate and Bracket Assembly	4402029	1

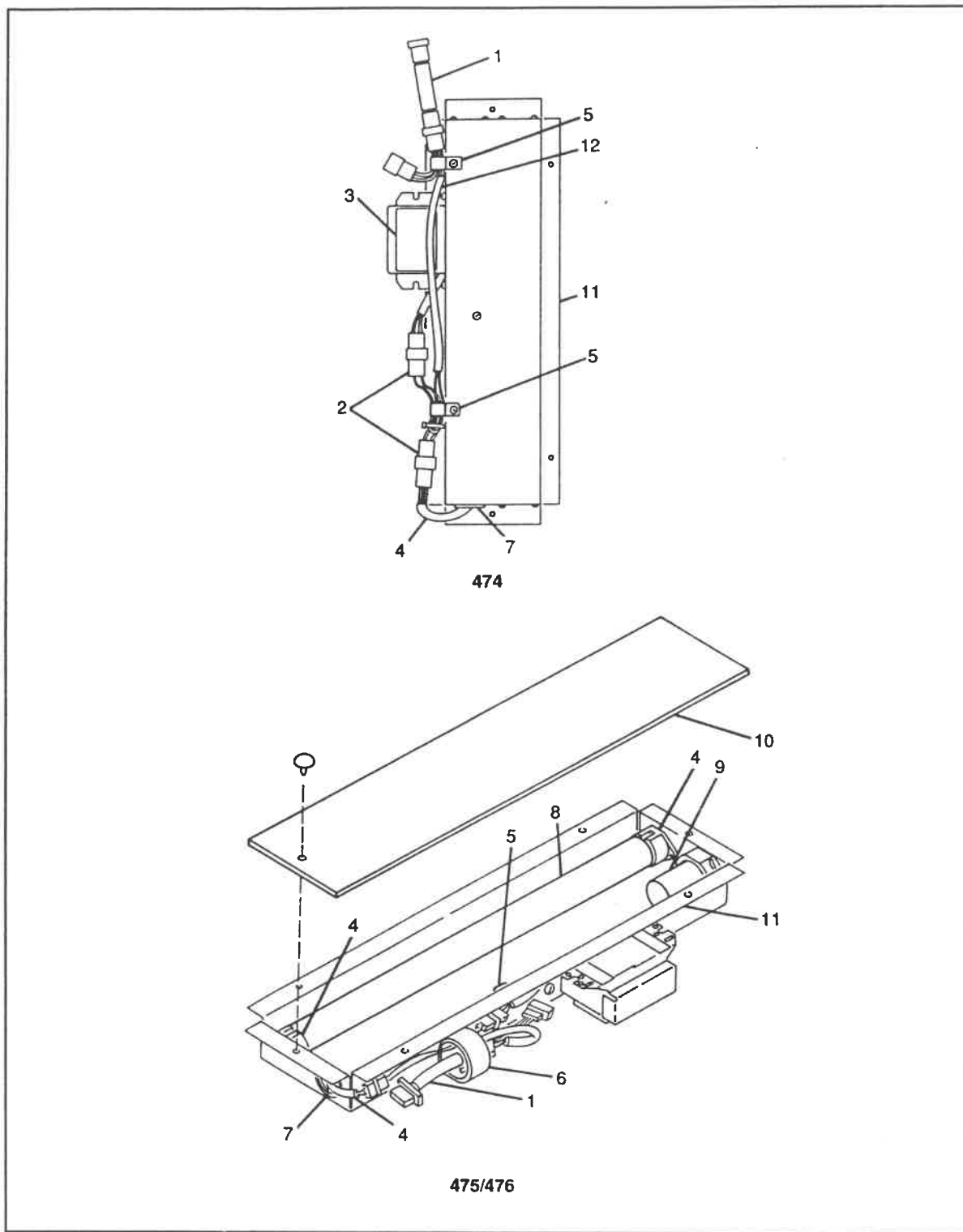


Figure 3. Fluorescent Light Assembly

FIGURE- INDEX NUMBER	1 2 3 4 5 6	DESCRIPTION	PART NO.	474	475/6
			QTY	QTY
3		Fluorescent Light Assemlby (See Figure 1, Index 22 for NHA)	4401014	Ref	N/A
		Fluorescent Light Assemlby (See Figure 1, Index 10 for NHA)	4422007	N/A	Ref
	-1	•Suppression Network	1451124	1	1
	-2	•Jumper - Filter and Fluorescent Light	3156032	N/A	1
	-3	•Ballast Assembly	4401016	1	1
	-4	•Harness - Fluorescent Light	4401010	1	1
		•Screw - #4-40 x 3/8, RHS (AP)	6106341	6	6
		•Nut - #4-40, Self-Locking (AP)	2222227	2	6
	-5	•Retainer - Harness	1452139	3	1
	-6	•Clamp - Cable	6107179	N/A	1
	-7	•Bushing - Open/Closed	4401017	1	1
	-8	•Lamp - Fluorescent	2146059	1	1
	-9	•Starter - Fluorescent Light	1212148	1	1
	-10	•Diffuser - Light	4401013	1	1
•Clip - Canoe (AP)		4042556	2	2	
-11	•Housing - Light	4401025	1	1	
	•Screw - #8-32 x 3/8, RHS (AP)	9900019	5	4	
	•Nut - #8-32 KEPS (AP)	9900081	5	4	
-12	•Harness - Power To Fluorescent Light - Food Module	4401018	1	N/A	

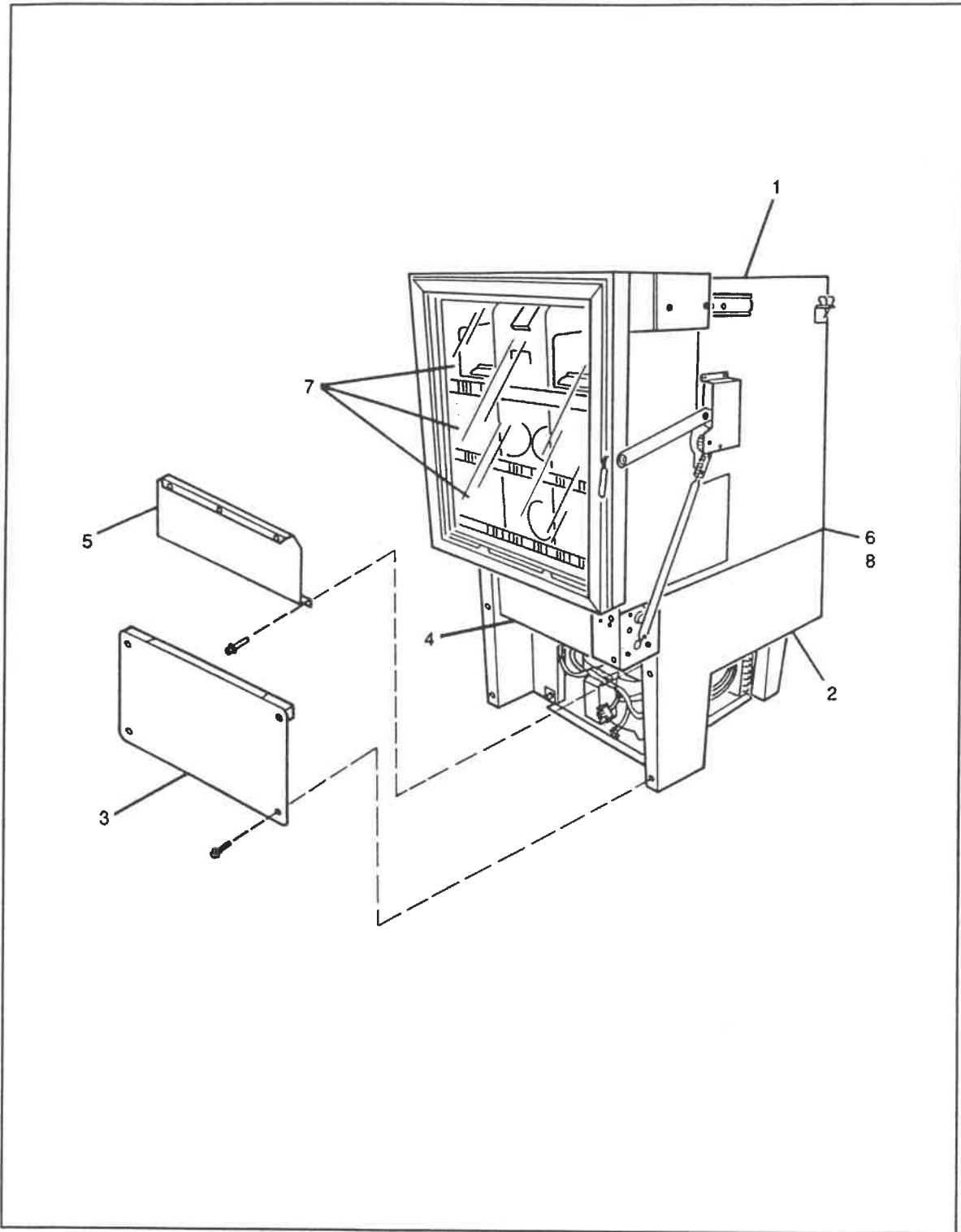


Figure 4. Refrigerated Food Module and Housing Assembly

FIGURE- INDEX NUMBER	1 2 3 4 5 6 • • • • •	DESCRIPTION	474/475/476	
			PART NO.	QTY
4		Refrigerated Food Module and Housing Assembly (See Figure 1, Index 11 for NHA)	-----	Ref
-1		•Food Module Assembly - Refrigerated (See Figure 5 for Breakdown)	4407000	1
-2		•Refrigeration Module Assembly (See Figure 6 for Breakdown)	4404002	1
-3		•Cover and Seal Assembly	4741213	1
		•Screw - #8-18 x .62, Hex Hd (AP)	4727144	4
-4		•Door - Refrigeration Module	4744027	1
-5		•Retainer - Door	4744042	1
		•Screw - #8-18 x .62, Hex Hd (AP)	4727144	6
-6		•Gasket - Refrigeration Module - 55IN. LG. (Between Food Module and Refrigeration Housing)	4744017	1
-7		•Tray Assembly - Refrigerated Food Module (See Figure 7 for Breakdown)	-----	3
-8		•Gasket - Refrigeration Module (Between Food Module and Refrigeration Housing)	4404013	1

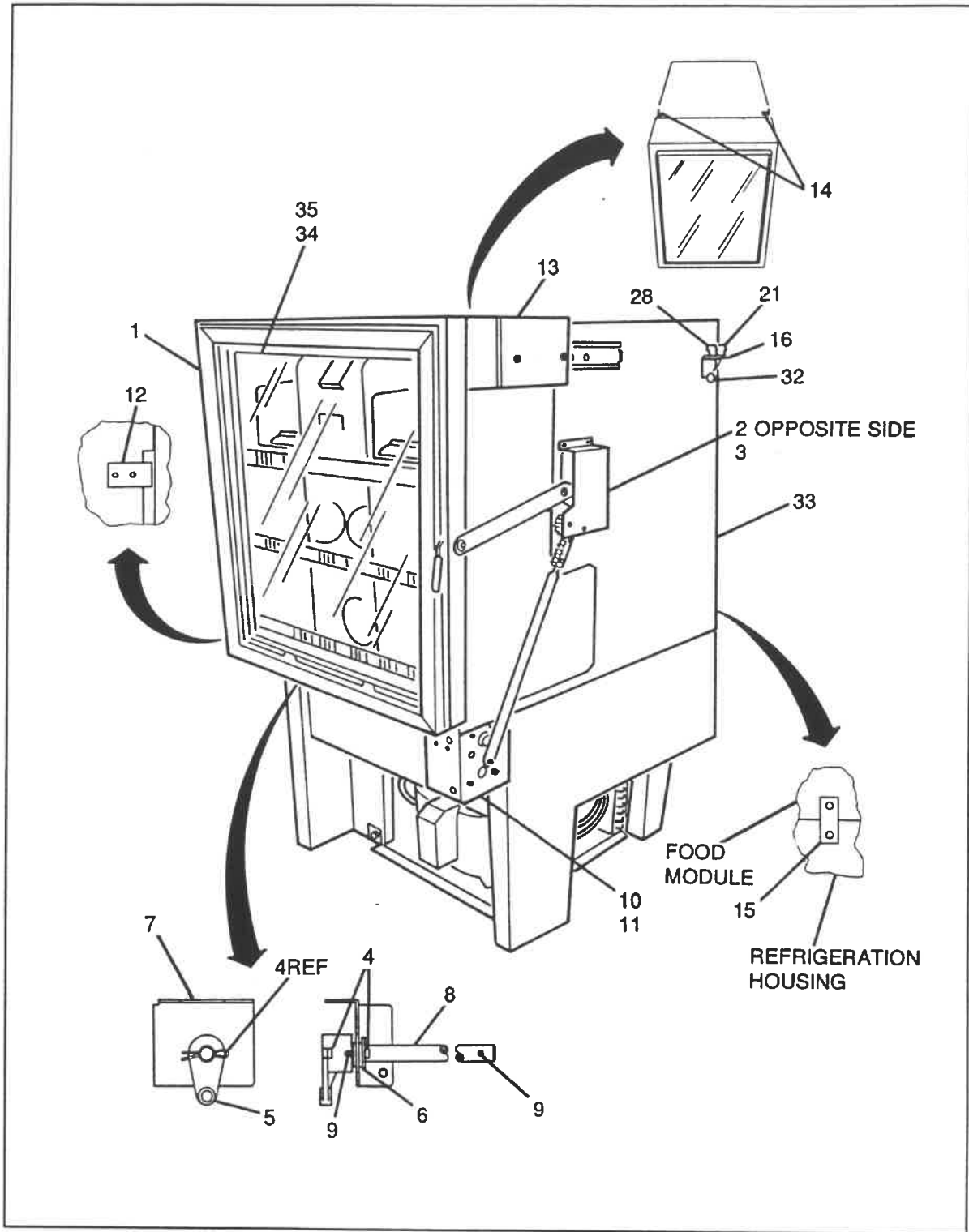


Figure 5. Refrigerated Food Module Assembly (Sheet 1 of 3)

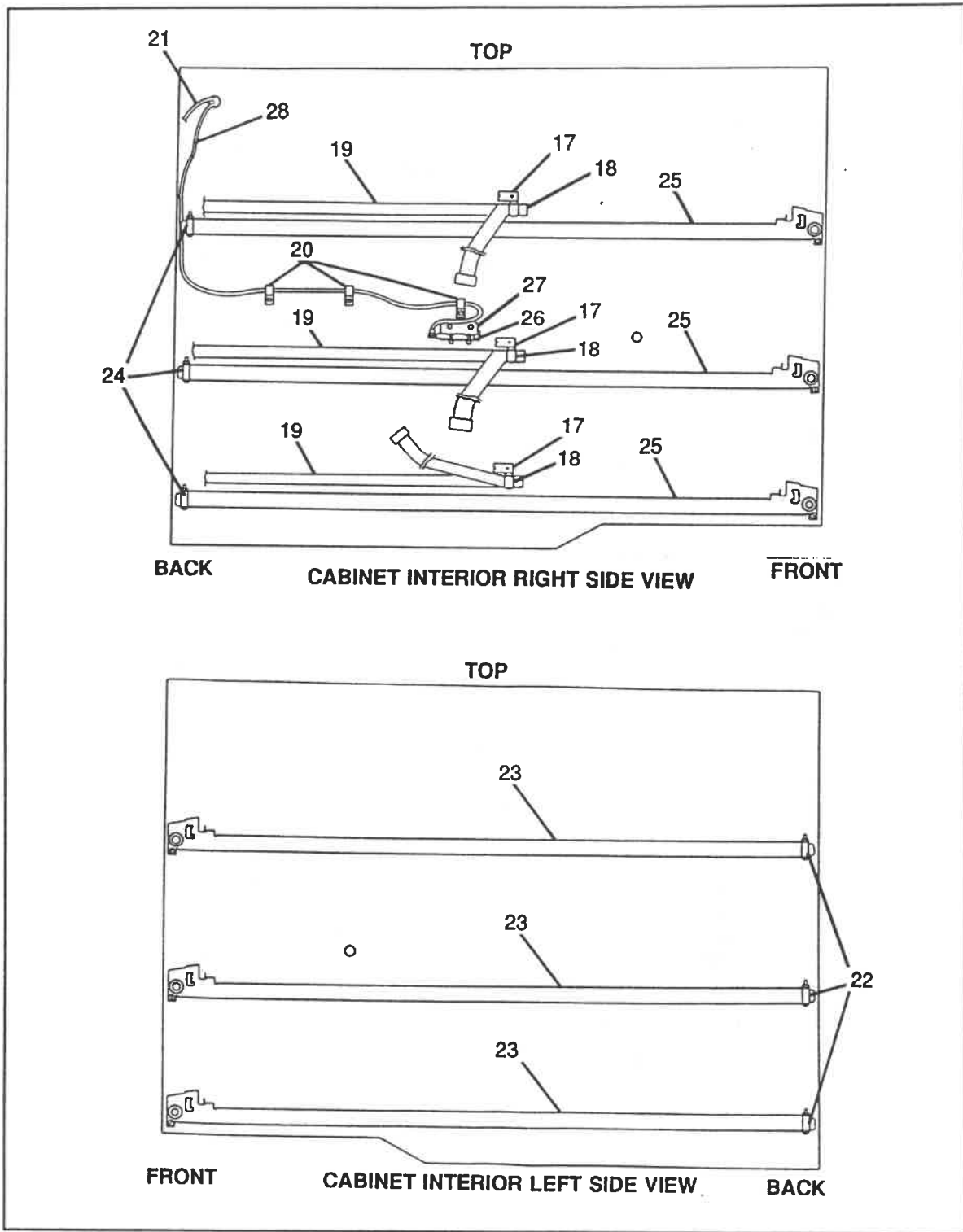


Figure 5. Refrigerated Food Module Assembly (Sheet 2 of 3)

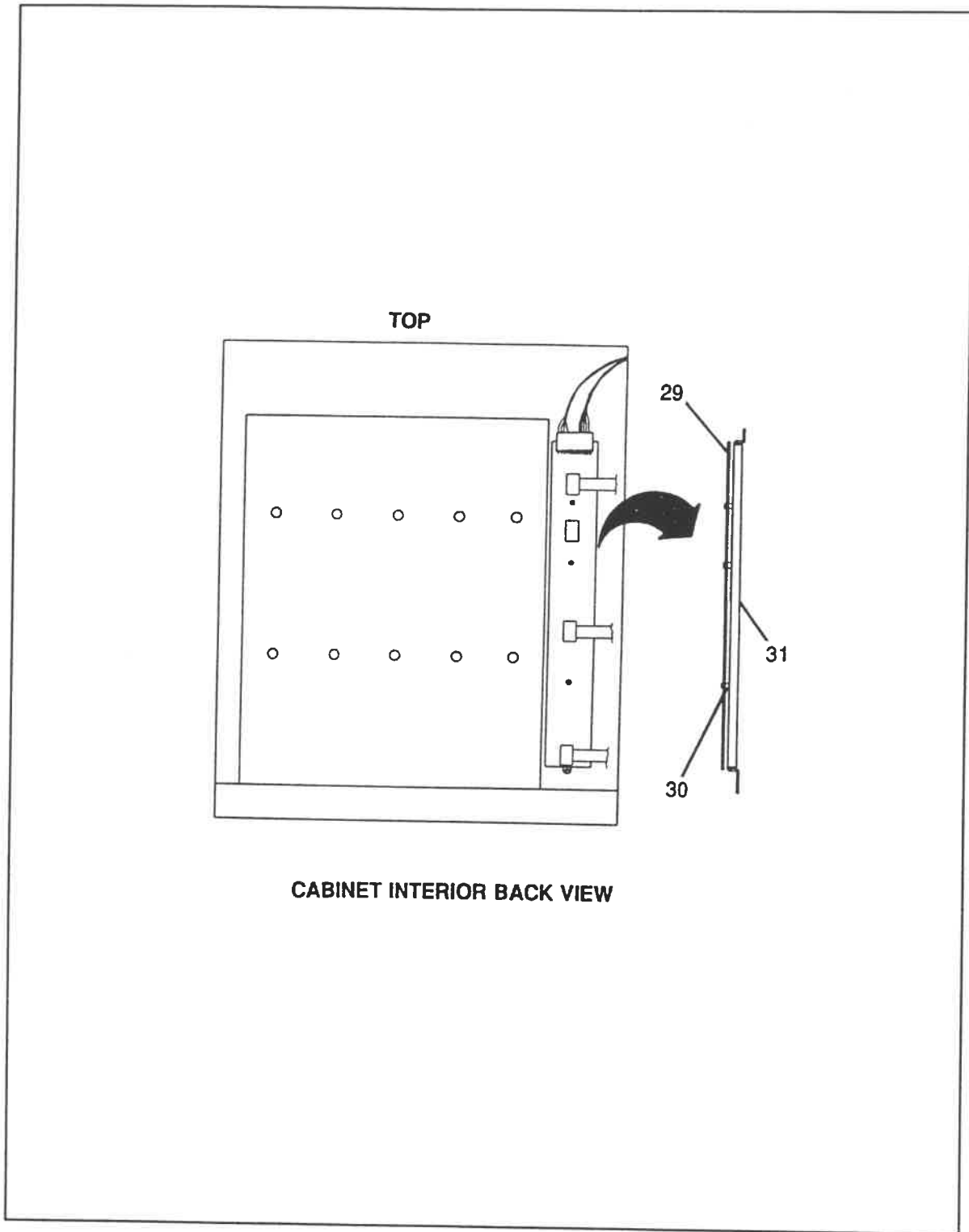


Figure 5. Refrigerated Food Module Assembly (Sheet 3 of 3)

FIGURE- INDEX NUMBER	1 2 3 4 5 6 • • • • •	DESCRIPTION	474/475/476	
			PART NO.	QTY
5		Food Module Assembly - Refrigerated (See Figure 4, Index 1 for NHA)	4407000	Ref
-1		•Door Assembly - Refrigerated Food Module (See Figure 8 for breakdown)	4407115	1
		•Screw - #8-32 x 3/8, PHS, T/F (AP)	5500026	4
-2		•Drive Arm Assembly - Left Hand (See Figure 9 for breakdown)	4407052	1
		•Ring - Retaining - "E" Type - 0.25 (AP)	9900425	1
		•Ring - Retaining - "E" Type - 0.312 (AP)	9900431	1
		•Screw - #8-32 x .31, Hex Hd, T/F, BLK (AP)	1451097	4
-3		•Drive Arm Assembly - Right Hand (See Figure 10 for breakdown)	4407069	1
		•Ring - Retaining - "E" Type - 0.25 (AP)	9900425	2
		•Screw - #8-32 x .31, hex Hd, T/F, BLK (AP)	1451097	4
---		•Drive Shaft Assembly	4407086	1
		•Screw - #8-18 x 3/8, LGM (AP)	47210351	2
		•Screw - #8-18 x .62, Hex Hd (AP)	4727144	1
-4		••Pin - Cotter - 3/32 x 3/4	9900098	2
-5		••Arm - Drive	4407079	1
-6		••Bushing - Shoulder	4407012	1
-7		••Bracket - Drive Shaft	4407088	1
---		••Drive Shaft and Roll Pin	4407092	1
-8		•••Shaft - Drive	4407087	1
-9		•••Pin - Roll - 1/8 x 13/16	3127034	2
-10		•Bracket Assembly - Motor Mounting (See Figure 11 for breakdown)	4407077	1
		•Screw - #8-18 x 3/8, LGM (AP)	4721035	3
		•Screw - #8-18 x .62, Hex Hd (AP)	4727144	1
-11		•Cover - Motor Assembly	4407135	1
		•Screw - #8-32 x .31, Hex Hd, T/F, BLK (AP)	1451097	2
-12		•Guide - Door Frame Support	4407004	1
		•Screw - #8 x 3/8, Sheet Metal (AP)	4047056	2
-13		•Frame Assembly - Door (See Figure 12 for breakdown)	4747716	1
		•Screw - #8-32 x 3/8, PHS, T/F (AP)	5500026	6
-14		•Bracket - Cabinet Support	4407001	2
		•Screw - #8-18 x .62, Hex Hd (AP)	4727144	2
-15		•Mounting Strap - Module	4747062	2
		•Screw - #8-18 x 3/8, LGM (AP)	4721035	2
		•Screw - #8-18 x .62, Hex Hd (AP)	4727144	2
-16		•Bracket - Cable Plug	4407002	1
		•Screw - #8-18 x .38, LGM (AP)	4721035	2
---		•Keeper and Closure Assembly	4407012	3
		•Screw - #8-18 x .38, Stainless (AP)	4402038	1
-17		••Keeper - Harness	4407156	1
-18		••Closure - Rect.	4407014	1
-19		•Flat Cable Assembly	4402010	3
-20		•Clip - Wire Harness	2342315	3
		•Screw - #8-18 x .38, Stainless (AP)	4402038	1
-21		•Jumper - Channel PCB - Food Module	4407009	1
---		•Rail and Stop Assembly - LH	4407015	3
		•Screw - #8-18 x .38, Stainless (AP)	4402038	1

FIGURE- INDEX NUMBER	1 2 3 4 5 6 • • • • •	DESCRIPTION	474/475/476	
			PART NO.	QTY
-22		••Tube - .88LG	4407016	1
		••Screw - #10-32 x 1-1/2, RHS, Stainless (AP)	4402037	1
		••Nut - #10-32 Keps, Stainless (AP)	6104424	1
-23		••Rail and Roller Assembly - LH	4407017	1
---		•Rail and Stop Assembly - RH	4407020	3
		•Screw - #8-18 x .38, Stainless (AP)	4402038	1
-24		••Tube - .88LG	4407016	1
		••Screw - #10-32 x 1-1/2, RHS, Stainless (AP)	4402037	1
		••Nut - #10-32 Keps, Stainless (AP)	6104424	1
-25		••Rail and Roller Assembly - RH	4407021	1
---		•Bracket and Temperature Sensor Assembly	4407010	1
		•Screw - #8-18 x .38, Stainless (AP)	4402038	2
-26		••Sensor Assembly - Tank Temperature	6236022	1
		••Wire Tie - Self-Clinching (AP)	4042121	2
-27		••Bracket - Temperature Sensor	4407155	1
-28		•Harness - Sensor Interface - Food Module	4407008	1
---		•Bracket and PCB Assembly	4407022	1
		•Screw - #8-18 x .38, Stainless (AP)	4402038	2
-29		••PCB Assembly - Channel - Food Module	4401000	1
		••Screw - #6-32 x 9/16, PHS, W/Lockwasher, Stainless (AP)	6107244	3
		••Spacer - .38OD x .14ID x .187LG (AP)	4407025	3
-30		••Support - Circuit Board - Miniature	4407024	2
-31		••Bracket - PC Board	4407023	1
-32		•Bushing - Heyco Open/Closed	3502097	1
-33		•Housing and Liner Assembly	4407026	1
-34		•Decal - Cold/Frozen Food	4741223	1
-35		•Decal - Chilled for Freshness	4612001	1

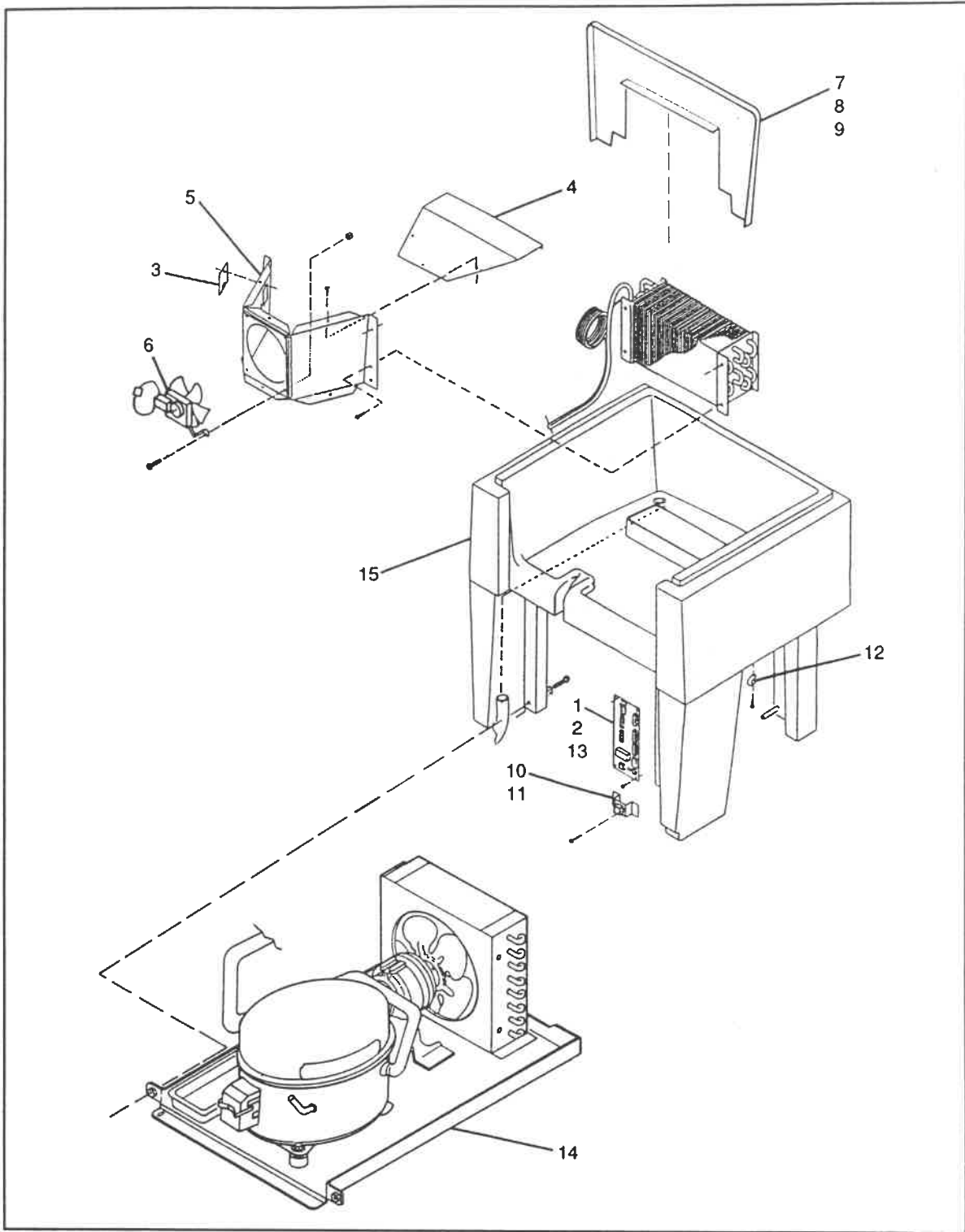


Figure 6. Refrigeration Module Assembly - Final

FIGURE- INDEX NUMBER	1 2 3 4 5 6 • • • • •	DESCRIPTION	474/475/476	
			PART NO.	QTY
6		Refrigeration Module Assembly - Final (See Figure 4, Index 2 for NHA)	4404002	Ref
---		•Spacer and PCB Assembly - Interface	4404009	1
		•Screw - #8-18 x 2-1/2, T/HHS (AP)	4404004	1
		•Speed Nut - Ballast (AP)	2221032	1
		•Cover - Screw Tip (AP)	3152081	1
		•Screw - #8-18 x .62, (AP)	4727144	3
-1		••PCB Assembly - Interface	4404000	1
-2		••Spacer - Self-Retaining	4404010	6
---		•Shroud and Fan Assembly - Evaporator	4404005	1
		•Screw - #8-18 x 3/8, LGM (AP)	4721305	2
-3		••Plate - Evaporator Fan Shroud	4404006	4
		••Screw - #8-18 x 3/8, LGM (AP)	4721305	2
-4		••Shroud - Top	4744020	1
		••Screw - #8-18 x 3/8, LGM (AP)	4721035	3
-5		••Shroud - Evaporator Fan	4744045	1
		••Screw - #8-32 x .31, Hex Hd, T/C (AP)	1451056	4
-6		••Fan - Evaporator	4724124	1
		••Screw - #8-32 x 3/8, RHS (AP)	9900019	4
		••Nut - #8-32 KEPS (AP)	9900081	4
---		•Baffle and Gasket Assembly	4404014	1
-7		••Baffle - Refrigeration	4404003	1
-8		••Gasket - Baffle - Top	4404015	1
-9		••Gasket - Baffle - Bottom	4404016	1
---		•Triac and Support Assembly	4774018	1
		•Bolt - 1/4-20 x 3/4, Hex Hd (AP)	1141054	2
-10		••Triac	9983778	1
		••Screw - #6-32 x 3/8, RHS, Mach (AP)	990008	2
		••Nut - #6-32 KEPS (AP)	9900078	2
-11		••Support - Triac	4774019	1
-12		•Retainer - Harness	4732024	2
-13		•Harness - Control Switch - Food Module	4404011	1
-14		•Refrigeration Module Assembly (See Figure 13 for Breakdown)	4404007	1
		•Bolt - 1/4-20 x 1-1/5, Hex Hd (AP)	3608119	2
		•Washer - Steel - 3/4OD x .264ID (AP)	1140351	4
		•Nut - 1/4-20 Self-Locking (AP)	9900184	2
-15		•Housing Assembly - Refrigeration Module (See Figure 14 for Breakdown)	4404012	1

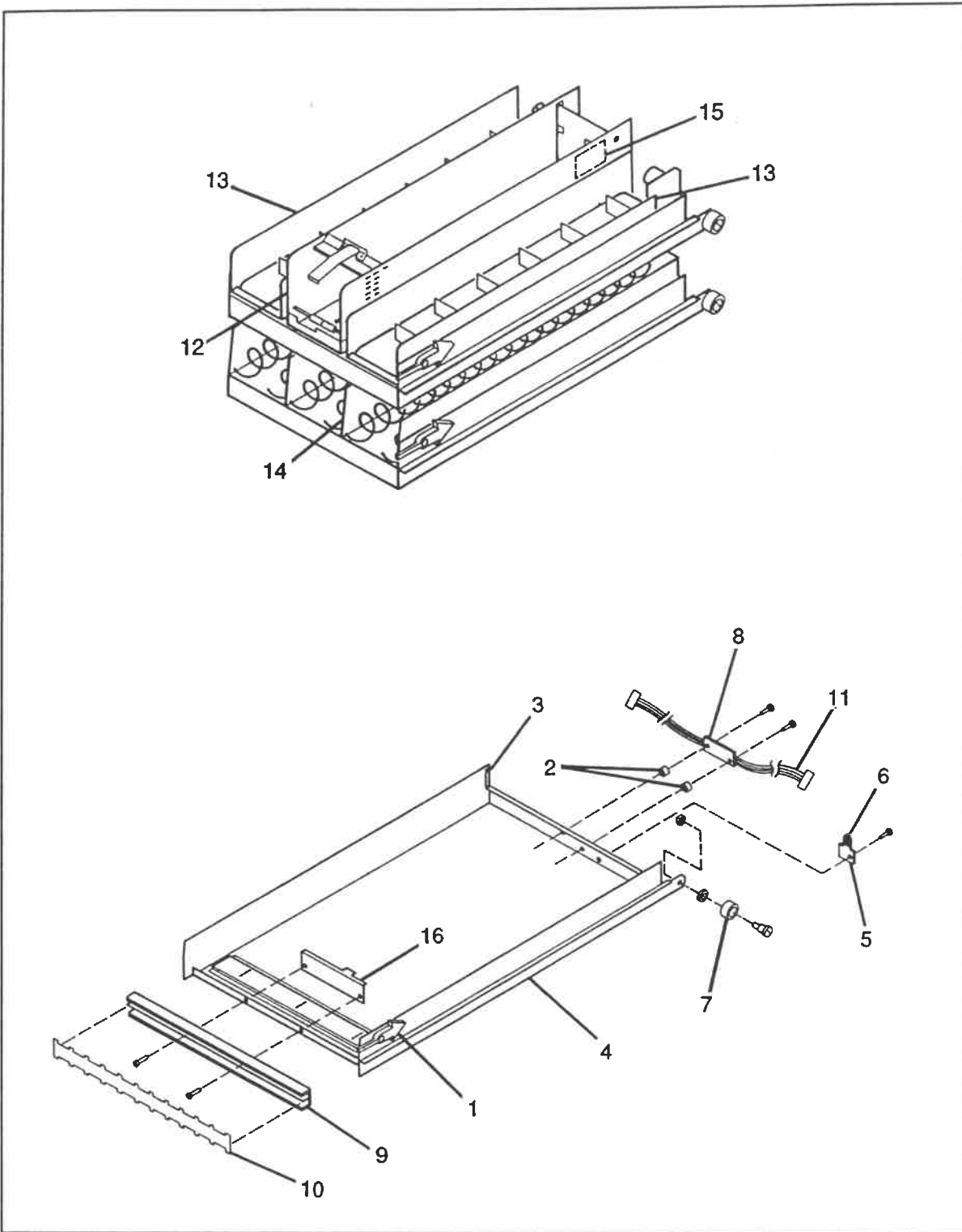


Figure 7. Tray Assembly Refrigerated Food Module Assembly

FIGURE- INDEX NUMBER	1 2 3 4 5 6 • • • • •	DESCRIPTION	474/475/476	
			PART NO.	QTY
7		Tray Assembly - Refrigerated Food Module (See Figure 4, Index 7 for NHA)	-----	1
-1		•Latch	1477017	4
		•Retainer - Push-on - 5/16 (AP)	5201267	1
-2		•Spacer - 3/8OD x 9/64ID x 3/16THK	4407025	2
-3		•Grommet - 2IN. LG. (Straight, push-on type)	4407502	3
-4		•Tray - Weld Assembly	4402001	1
---		•Retainer and Closure Assembly	4407506	1
		•Screw #8-18 x 3/8, Stainless (AP)	4402038	1
-5		••Retainer - Harness	4407516	1
-6		••Closure - Rectangular	4407014	1
-7		•Roller - Tray	4407019	2
		•Stud - Tray Roller (AP)	4407514	1
		•Washer - 5/8OD x 9/32ID x 1/16THK, Stainless (AP)	4402041	1
		•Nut 1/4-20 Self-Locking, Stainless (AP)	4402046	1
-8		•P.C. Board Assembly - Tray - Food Module	4402008	1
		•Screw #6-32 x 1/2, PHS, T/C, Stainless (AP)	6107240	2
-9		•Rail - Price and Selection	4407503	1
-10		•Holder - Price and Selection	4407504	1
		•Screw #8-32 x 3/8, PHS, Stainless (AP)	3108221	3
		•Nut #8-32 W/Lockwasher, Stainless (AP)	4402043	3
-11		•Harness - 6 Motor	4407501	1
-12		•Pusher Module Assembly (See Figure 15 for Breakdown)	4407700	1
		•Screw #8-32 x 3/8, PHS, T/C, Stainless (AP)	3104138	2
-13		•Belt Module Assembly (See Figure 16 for Breakdown)	4407600	1
		•Screw #8-32 x 3/8, PHS, T/C, Stainless (AP)	3104138	2
-14		•Spiral Module Assembly (See Figure 17 for Breakdown)	4407800	1
		•Screw #8-32 x 3/8, PHS, T/C, Stainless (AP)	3104138	1
-15		•Label - Tray Removal	4757500	3
-16		•Retainer - Spiral Module (Used with Index 14 only)	4407845	1

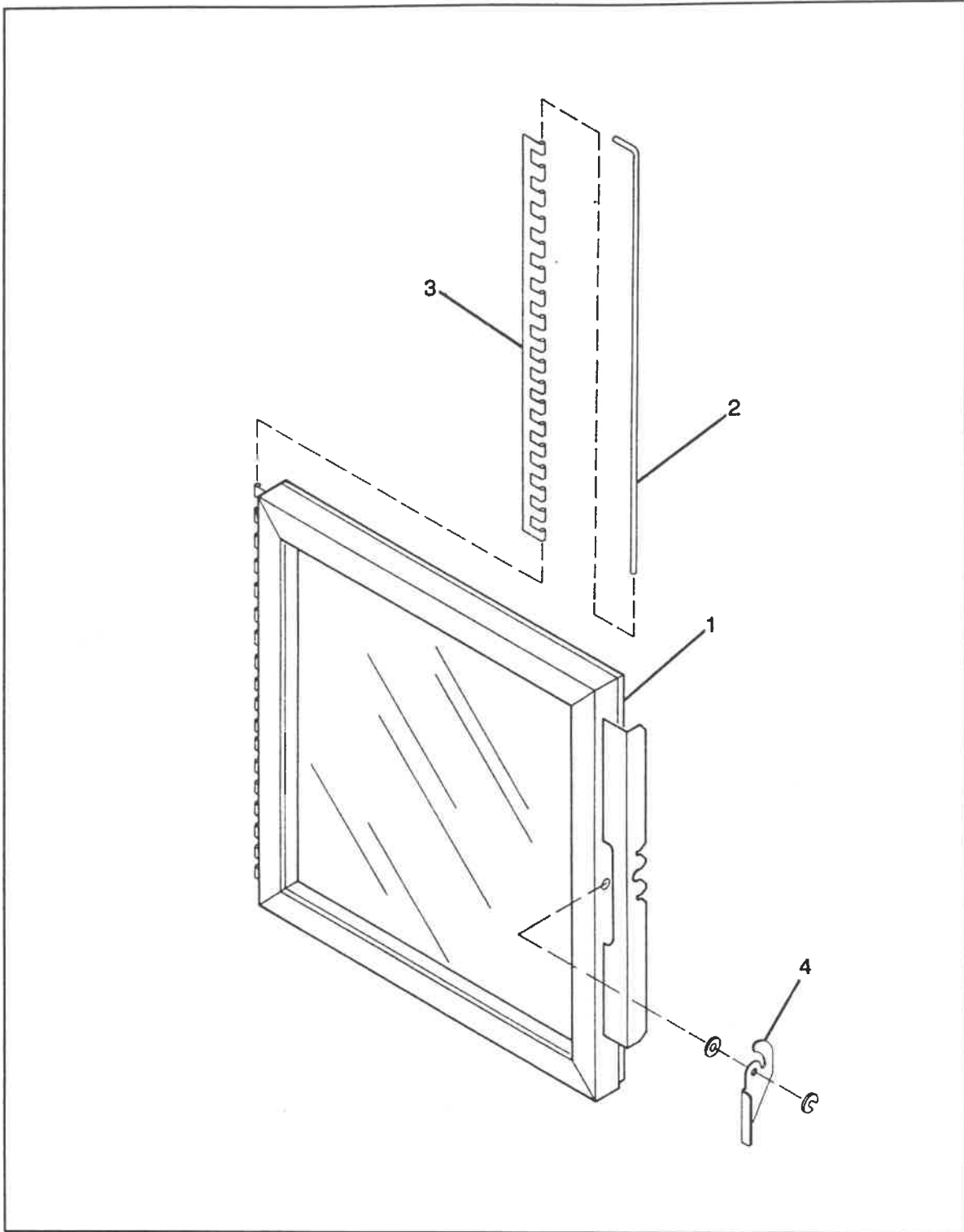


Figure 8. Refrigerated Food Module Door Assembly

FIGURE- INDEX NUMBER	1 2 3 4 5 6 • • • • •	DESCRIPTION	474/475/476	
			PART NO.	QTY
8		Door Assembly - Refrigerated Food Module (See Figure 5, Index 1 for NHA)	4407115	Ref
-1		•Door Assembly	-----	1
-2		•Pin - Hinge	4407120	1
-3		•Hinge - Food Module	4407132	1
-4		•Lever - Latch	4407116	1
		•Washer - Spring (AP)	5220113	1
		•Ring - Retaining - "E" Type - 0.25 (AP)	9900425	1

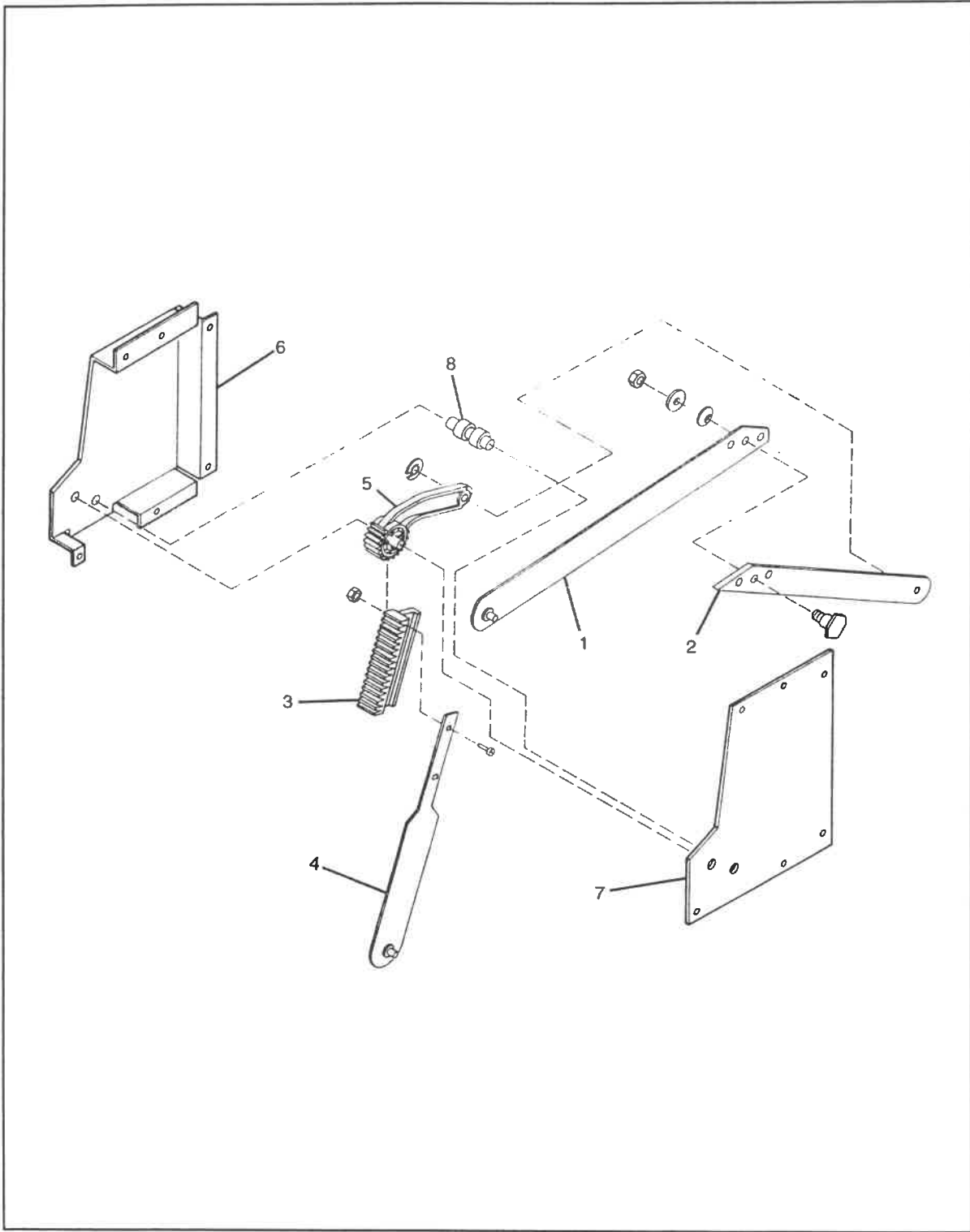


Figure 9. Left Hand Drive Arm Assembly

FIGURE- INDEX NUMBER	1 2 3 4 5 6 • • • • •	DESCRIPTION	474/475/476	
			PART NO.	QTY
9		Drive Arm Assembly - Left Hand (See Figure 5, Index 2 for NHA)	4407052	1
---		•Frame Drive Arm Assembly - LH	4407057	1
-1		••Arm - LH Door Frame Long	4407059	1
		••Nut - #8-32 (AP)	1412046	1
		••Washer - Spring (AP)	2202109	1
		••Spacer - Extension Bar (AP)	5202012	1
		••Pivot - Frame Drive Arm (AP)	4407058	1
-2		••Frame Drive Arm Assembly	4407062	1
---		•Drive Rack and Arm Assembly	4407065	1
-3		••Rack - Drive	4407066	1
		••Nut - #8-32 - Self-Locking (AP)	9900072	2
		••Bolt - Carriage - #8-32 x 3/8 (AP)	1306140	2
-4		••Arm Assembly - Drive Rack	4407067	1
-5		•Arm - Toggle	4407056	1
		•Ring - Retaining - "E" Type (AP)	9900425	1
-6		•Cover - Toggle - LH	4407133	1
-7		•Plate - Toggle - LH	4407053	1
-8		•Roller - Drive Rack	4407055	1

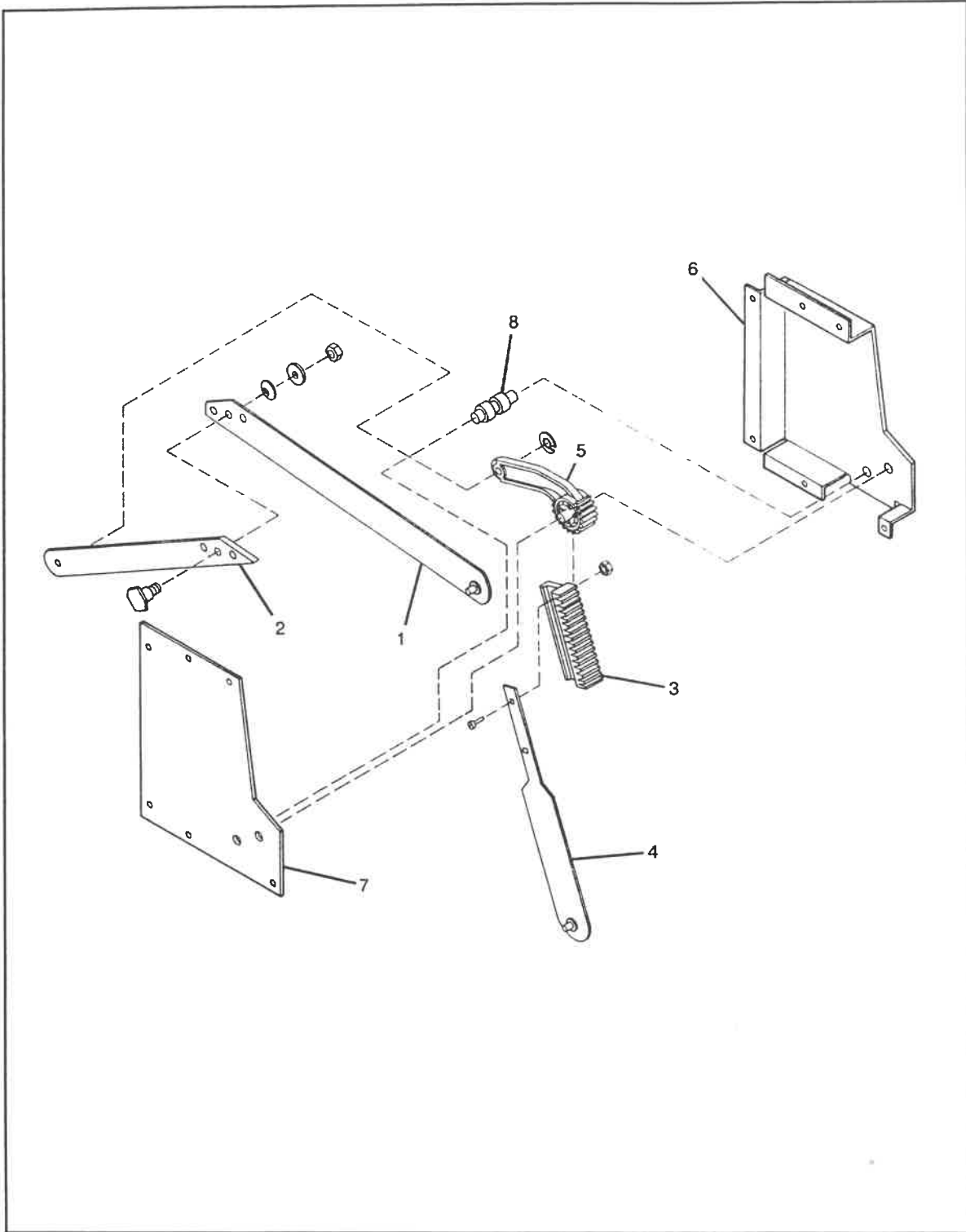


Figure 10. Right Hand Drive Arm Assembly

FIGURE- INDEX NUMBER	1 2 3 4 5 6 • • • • •	DESCRIPTION	474/475/476	
			PART NO.	QTY
10		Drive Arm Assembly - Right Hand (See Figure 5, Index 3 for NHA)	4407069	1
---		•Frame Drive Arm Assembly - RH	4407072	1
-1		••Arm - RH Door Frame Long	4407139	1
		••Nut - #8-32 (AP)	1412046	1
		••Washer - Spring (AP)	2202109	1
		••Spacer - Extension Bar (AP)	5202012	1
		••Pivot - Frame Drive Arm (AP)	4407058	1
-2		••Frame Drive Arm Assembly	4407074	1
---		•Drive Rack and Arm Assembly - RH	4407076	1
-3		••Rack - Drive	4407066	1
		••Nut - #8-32 - Self-Locking (AP)	9900072	2
		••Bolt - Carriage - #8-32 x 3/8 (AP)	1306140	2
-4		••Arm Assembly - Drive Rack	4407067	1
-5		•Arm - Toggle	4407056	1
		•Ring - Retaining - "E" Type (AP)	9900425	1
-6		•Cover - Toggle - RH	4407134	1
-7		•Plate - Toggle - RH	4407070	1
-8		•Roller - Drive Rack	4407055	1

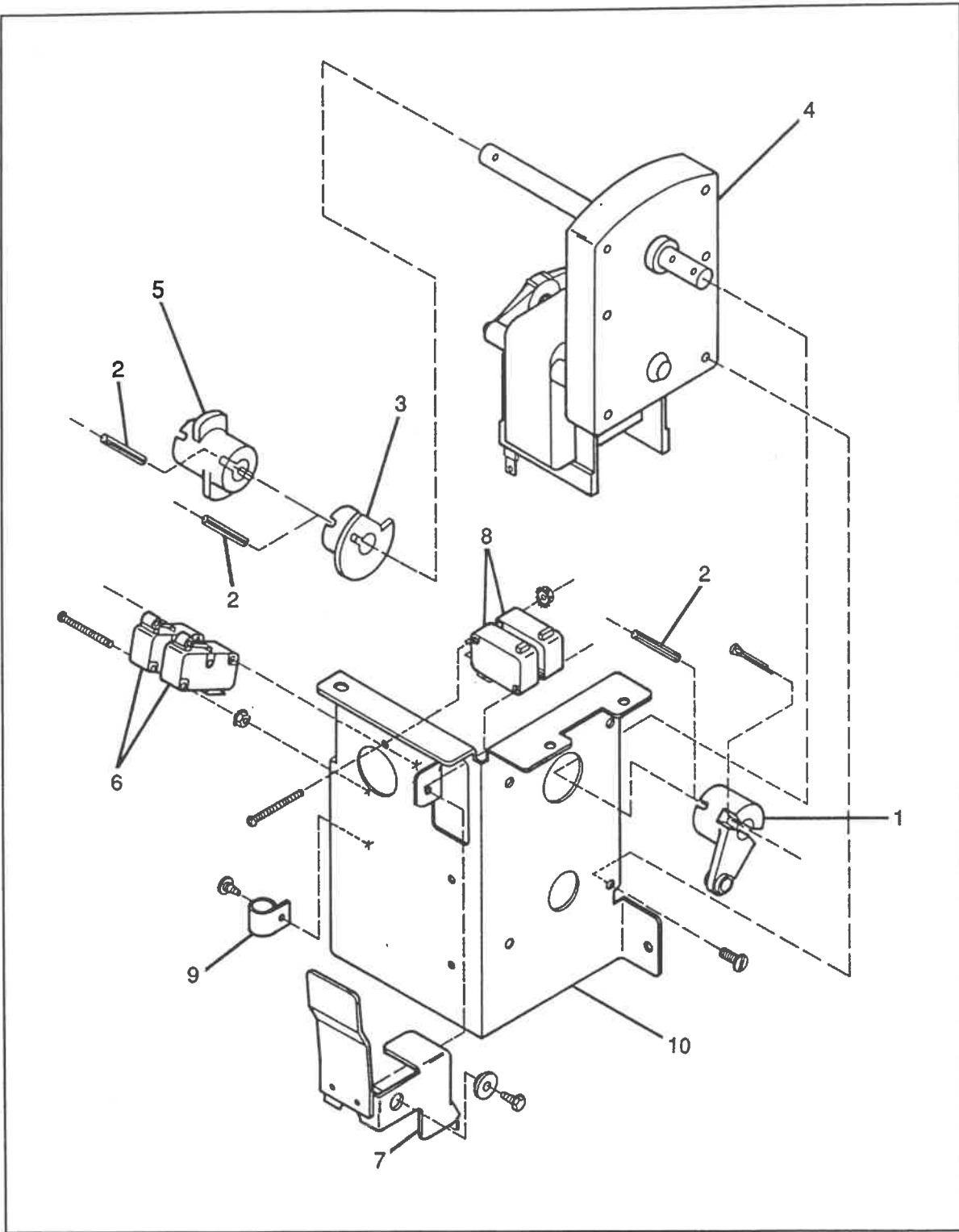


Figure 11. Motor Mounting Bracket Assembly

FIGURE- INDEX NUMBER	1 2 3 4 5 6	DESCRIPTION	474/475/476	
			PART NO.	QTY
11		Bracket Assembly - Motor Mounting (See Figure 5, Index 10 for NHA)	4407077	Ref
-1		•Arm - Drive	4407079	1
		•Pin - Cotter - 3/32 x 3/4 (AP)	9900098	1
---		•Motor Assembly - Food Module	4407094	1
		•Screw - #8-32 x .37, PHS, W/LW (AP)	9900023	4
-2		••Pin - Roll - 1/8 x 13/16	3127034	3
-3		••Cam - H.C. Switch Override	4407093	1
-4		••Motor - Food Module	4407078	1
-5		•Coupling - Motor and Shaft	4407080	1
-6		•Switch - Roller Lever	2304109	2
		•Screw - #4-40 x 1, RHS (AP)	5201086	2
		•Nut - #4-40 KEPS (AP)	1217159	2
-7		•Actuator Assembly - H.C. Switch	4407084	1
		•Screw - #8-32 x .31, Hex Hd, T/F, BLK (AP)	1451097	1
		•Spacer - Release Arm (AP)	2228011	1
-8		•Switch - V3-1101-D8	2306488	2
		•Screw - #4-40 x 1, RHS (AP)	5201086	2
		•Nut - #4-40 KEPS (AP)	1217159	2
-9		•Retainer - Harness	1452139	1
		•Screw - #8-32 x .31, Hex Hd, T/F, BLK (AP)	1451097	1
-10		•Mounting Bracket - Motor	4407131	1

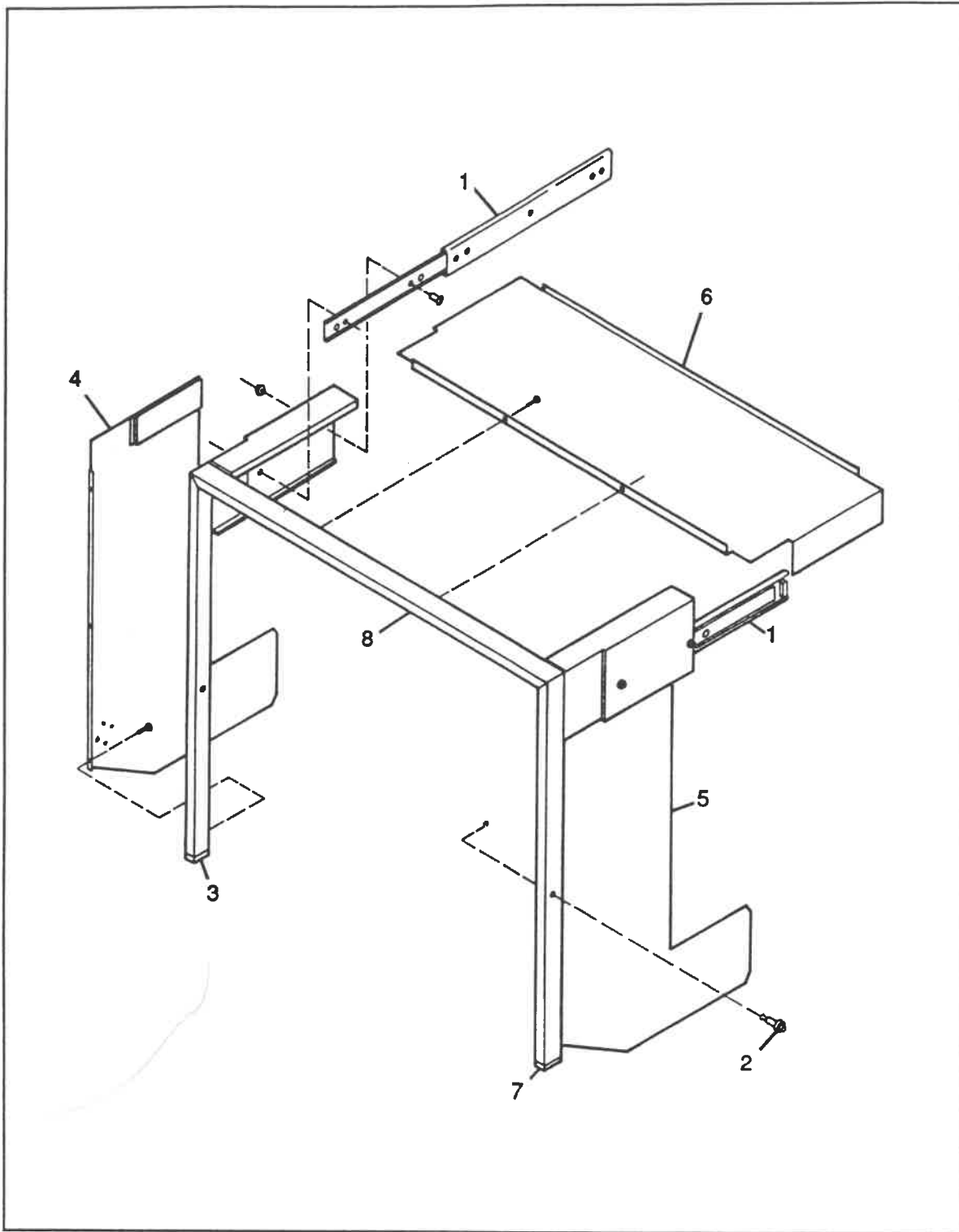


Figure 12. Door Frame Assembly

FIGURE- INDEX NUMBER	1 2 3 4 5 6 • • • • •	DESCRIPTION	474/475/476	
			PART NO.	QTY
12		Frame Assembly - Door (See Figure 5, Index 13 for NHA)	4747716	1
-1		•Slide - 10IN	4407103	2
		•Screw - #8-32 x 3/8, THS, BLK (AP)	1170206	2
		•Nut - #8-32 (AP)	1412046	2
-2		•Stud - Door Latch	4407102	1
		•Ring - Retaining - "E" Type - 0.312 (AP)	9900431	1
-3		•Support - Door Frame	4407101	1
-4		•Shield - Side - LH	4747717	1
		•Screw - #8-32 x .31, Hex Hd, T/F, BLK (AP)	1451097	3
-5		•Shield - Side - RH	4407105	1
		•Screw - #8-32 x .31, Hex Hd, T/F, BLK (AP)	1451097	3
-6		•Shield - Top	4407106	1
		•Screw - #8-32 x .31, Hex Hd, T/F, BLK (AP)	1451097	2
-7		•Caplug - Rect. - 1/2 x 1	1479120	1
-8		•Door Frame Weld Assembly	4407107	1

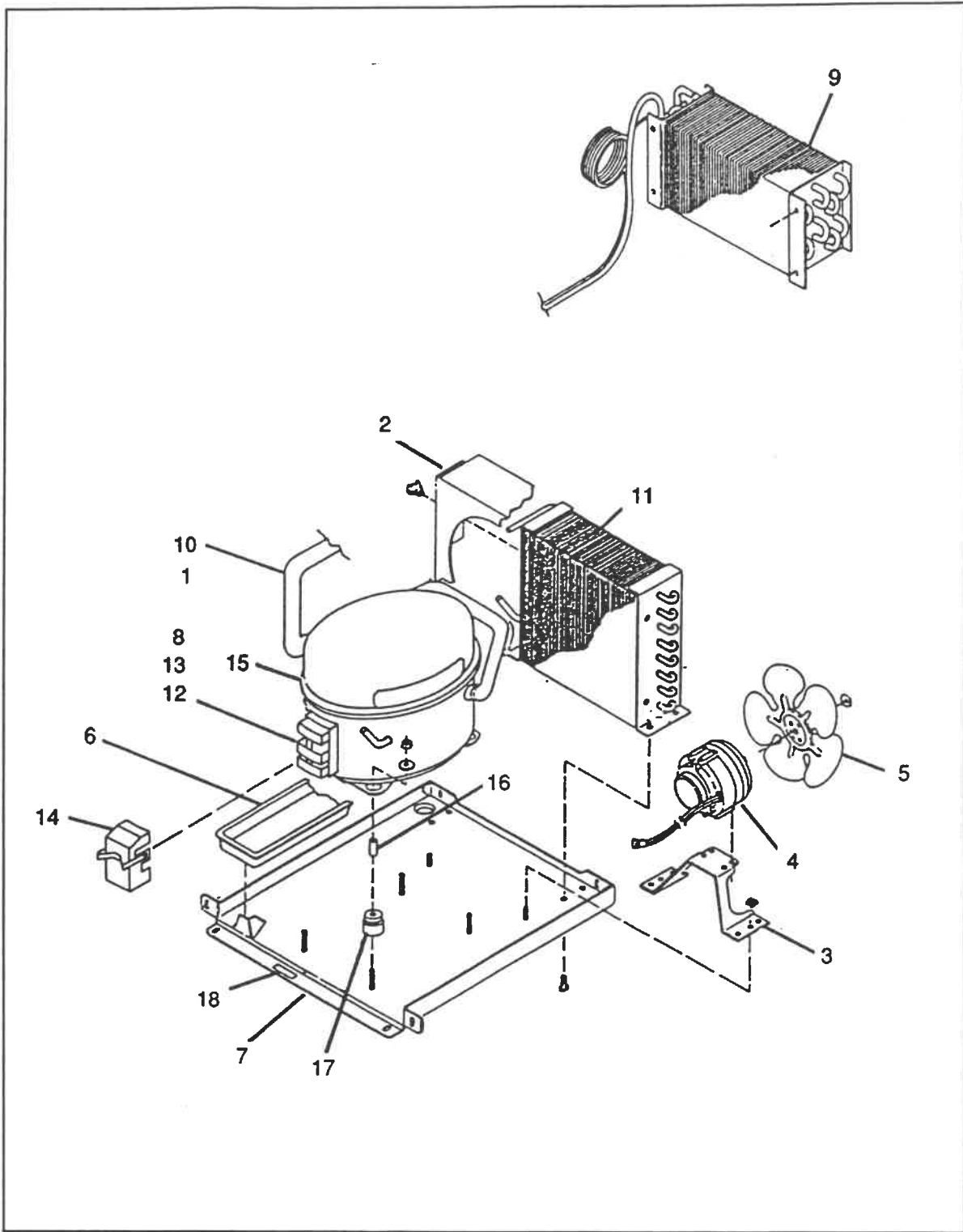


Figure 13. Refrigeration Module Assembly

FIGURE- INDEX NUMBER	1 2 3 4 5 6 • • • • •	DESCRIPTION	474/475/476	
			PART NO.	QTY
13		Refrigeration Module Assembly (See Figure 6, Index 14 for NHA)	4404007	Ref
-1		•Wiretie	2204513	4
-2		•Shroud - Condenser	3608146	1
		•Clip - Speed - Dart Style (AP)	4043082	4
-3		•Bracket - Condenser Motor	4744009	1
		•Nut #1/4-20, Keps (AP)	1211105	2
-4		•Motor - Condenser Fan	3608235	1
		•Screw - #8-32 x 3/8, Hex W/Hd (AP)	3157060	4
-5		•Blade - Condenser Fan FV-70	3608149	1
		•Nut - Speed #1/4-20 (AP)	4043122	1
-6		•Pan - Condensate	4744022	1
-7		•Base and Stud Assembly - Condensing	4744046	1
		•Bolt #1/4-20 x 1-1/2, Hex Hd (AP)	3608119	2
		•Washer - Steel - 3/4OD x .264ID (AP)	1140351	4
		•Nut - Self-locking #1/4-20 (AP)	9900184	2
-8		•Harness - Compressor	4744016	1
-9		•Evaporator and Tube Assembly	4744052	1
-10		•Tube - Compressor to Condenser	4744055	1
-11		•Condenser	4744062	1
		•Screw #8-18 x 3/8, LGM (AP)	4721035	4
---		•Compressor Package	4744051	1
-12		••Tab to Screw Adaptor	4714067	2
-13		••Electrical Assembly W/Relay and Overload	4744057	1
-14		••Bale Strap - Terminal Cover and	4614005	1
-15		••Compressor - 115V	4744061	1
-16		••Sleeve	4614007	4
-17		••Grommet	4744060	4
-18		•Label - Caution - Refrigeration	4304001	1

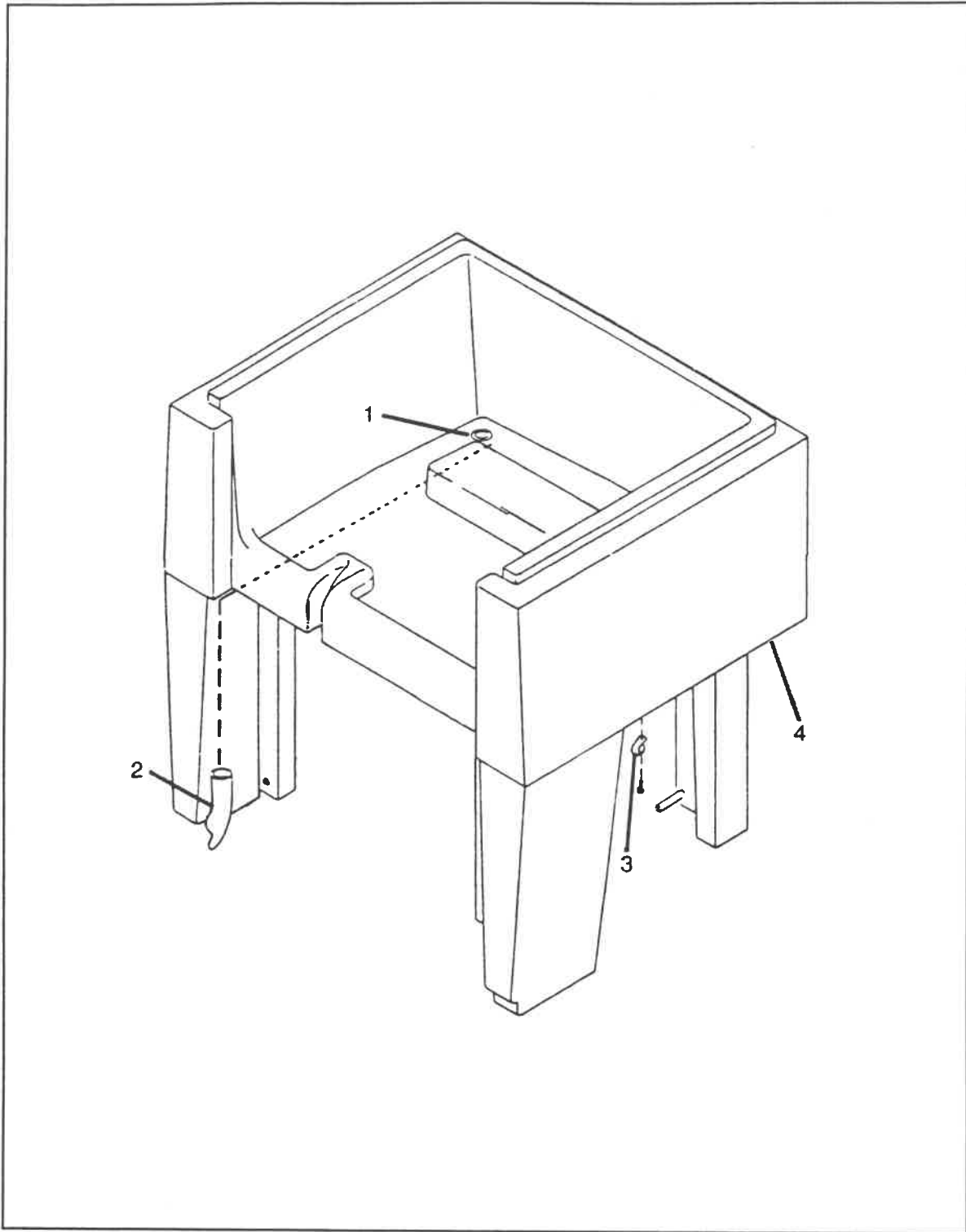


Figure 14. Refrigeration Module Housing Assembly

FIGURE- INDEX NUMBER	1 2 3 4 5 6 • • • • •	DESCRIPTION	474/475/476	
			PART NO.	QTY
14		Housing Assembly - Refrigeration Module (See Figure 6, Index 15 for NHA)	4404012	Ref
-1		•Drain - Water Bath	3128063	1
-2		•Drain - Condensate	4301034	1
-3		•Retainer - Harness	4732024	1
		•Screw - #8-18 x 3/8, LGM (AP)	4721035	1
-4		•Housing - Refrigeration Module	4744002	1

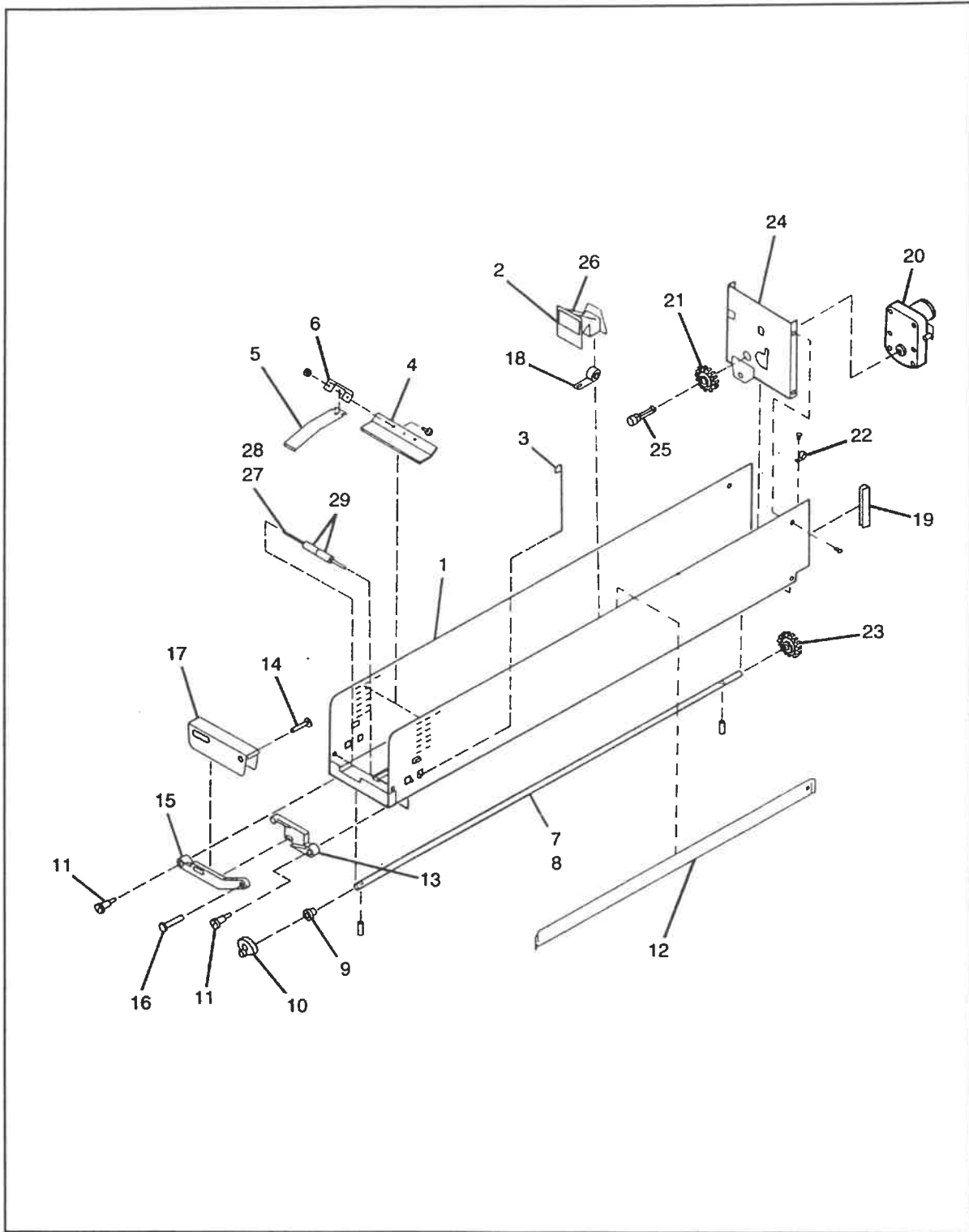


Figure 15. Pusher Module Assembly

FIGURE- INDEX NUMBER	1 2 3 4 5 6 • • • • •	DESCRIPTION	474/475/476	
			PART NO.	QTY
15		Pusher Module Assembly (See Figure 7, Index 12 for NHA)	4407700	Ref
-1		•Frame Assembly - Pusher	4402212	1
-2		•Pusher	4407714	1
-3		•Retainer - Guide	4407707	2
---		•Guide Assembly - Package	4407723	1
-4		••Guide - Package	4407738	1
-5		••Stop - Package	4407736	1
-6		••Keeper - Stop	4407737	1
		••Screw - #6-32 x 1/4, RHS, Stainless (AP)	4402039	2
		••Nut - #6-32 W/Lockwasher, Stainless (AP)	6104429	2
-7		•Shaft Assembly	4407720	1
-8		••Shaft - Ejector	4407742	1
		••Pin - Roll - .093DIA x 7/16LG (AP)	5220463	2
-9		••Bushing - Ejector Shaft	4407722	1
-10		•Cam - Ejector	4407708	1
-11		•Stud - Ejector - Pusher	4407739	2
-12		•Spacer - Product	4402210	1
---		•Ejector Assembly	4407715	1
		•Nut - #8-32, W/Lockwasher, Stainless (AP)	4402043	2
-13		••Arm - Ejector - RT	4407717	1
		••Washer - Brass, .375OD x .147ID x .031THK (AP)	1302214	1
-14		••Stud - Ejector Bracket - RT	4407741	1
-15		••Arm - Ejector - LT	4407716	1
-16		••Stud - Ejector Bracket - LT	4407740	1
-17		••Bracket - Ejector	4407704	1
-18		•Spring - Pusher	4407713	1
-19		•Grommet - 2IN LG (Straight, push-on type)	4407502	2
-20		•Motor and PC Board Assembly	4407802	1
-21		•Gear - Drive - Pusher Module	4407711	1
-22		•Clip - Wire Harness	2342315	1
		•Screw - #8-18 x 3/8, Stainless (AP)	4402038	1
-23		•Gear - Ejector Shaft	4407710	1
-24		•Panel Assembly - Bracket and Motor	4407734	1
		•Screw - #8-18 x 3/8, Stainless (AP)	4402038	4
-25		•Coupling - Motor	4407712	1
-26		•Label - Sold Out	4407728	1
		<u>OPTIONS</u>		
---		•Adaptor Assembly - Boxed Item	4407732	1
-27		••roller and Shaft Assembly - Pusher	4407729	1
-28		•••Shaft - Pusher Module	4407731	1
-29		•••Roller - Pusher Module	4407730	2
		•••Speed Clip - Compression Ring (AP)	2366055	1

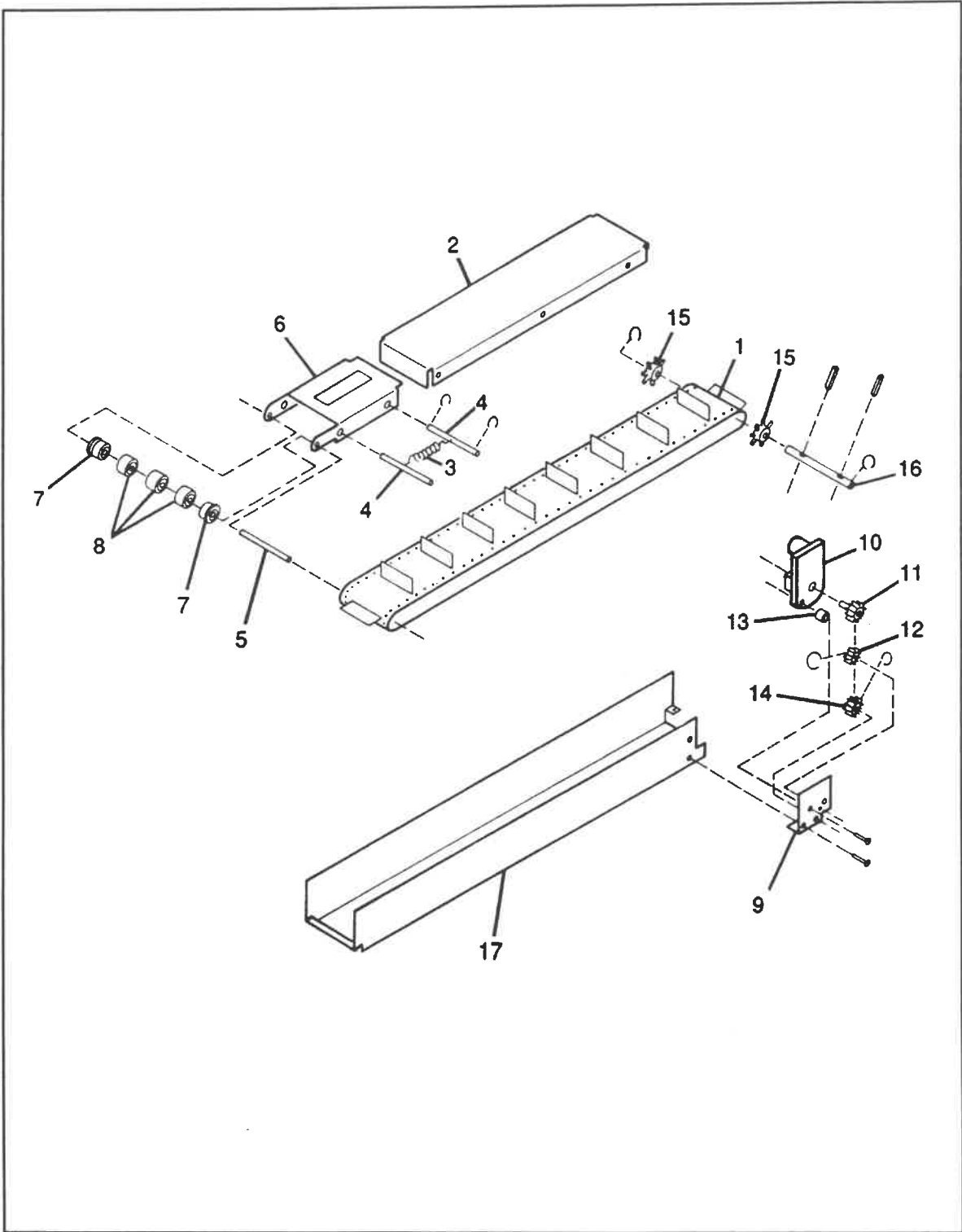


Figure 16. Belt Module Assembly

FIGURE- INDEX NUMBER	1 2 3 4 5 6 • • • • •	DESCRIPTION	474/475/476	
			PART NO.	QTY
16		Belt Module Assembly (See Figure 7, Index 13 for NHA)	4407600	Ref
-1		•Belt - Conveyor	4407604	1
-2		•Support - Belt - Rear	4407629	1
		•Screw - #8-18 x 3/8, Stainless (AP)	4402038	6
-3		•Spring - Belt Tension	4407607	1
-4		•Shaft - Belt Adjustor	4407632	2
		•Ring - Retaining - "E" Type = .250ID (AP)	3103029	4
---		•Support and Roller Assembly	4407608	1
-5		••Shaft - Belt - Front	4407633	1
-6		••Support - Belt - Front	4407630	1
		••Ring - Retaining - "E" Type - .250 (AP)	3103029	2
-7		••Roller - Belt - Inside	4407612	3
---		•Motor and Bracket Assembly	4407614	1
		•Screw - #8-18 x 3/8, Stainless (AP)	4402038	3
-9		••Bracket and Stud Assembly	4407622	1
-10		••PCB and Motor Assembly	4407802	1
		••Screw - #8-32 x 1-3/8, RHS, Stainless (AP)	4402036	2
		••Nut - #8-32 W/Lockwasher (AP)	4402043	2
-11		••Gear - Drive - Motor	4407615	1
-12		••Gear - Idler - Belt Module	4407616	1
		••Ring - Retaining - "E" Type - 0.25 (AP)	3103029	1
-13		••Spacer - Motor	4407617	2
-14		••Gear - Belt Drive	4407618	1
-15		••Sprocket - Drive	4407619	2
---		••Drive Shaft Assembly	4407620	1
		••Ring - Retaining - "E" Type - 0.25 (AP)	3103029	2
-16		•••Shaft - Drive Sprocket	4407624	1
		•••Pin - Roll (AP)	6104219	2
-17		•Frame Assembly - Belt Module	4407628	1

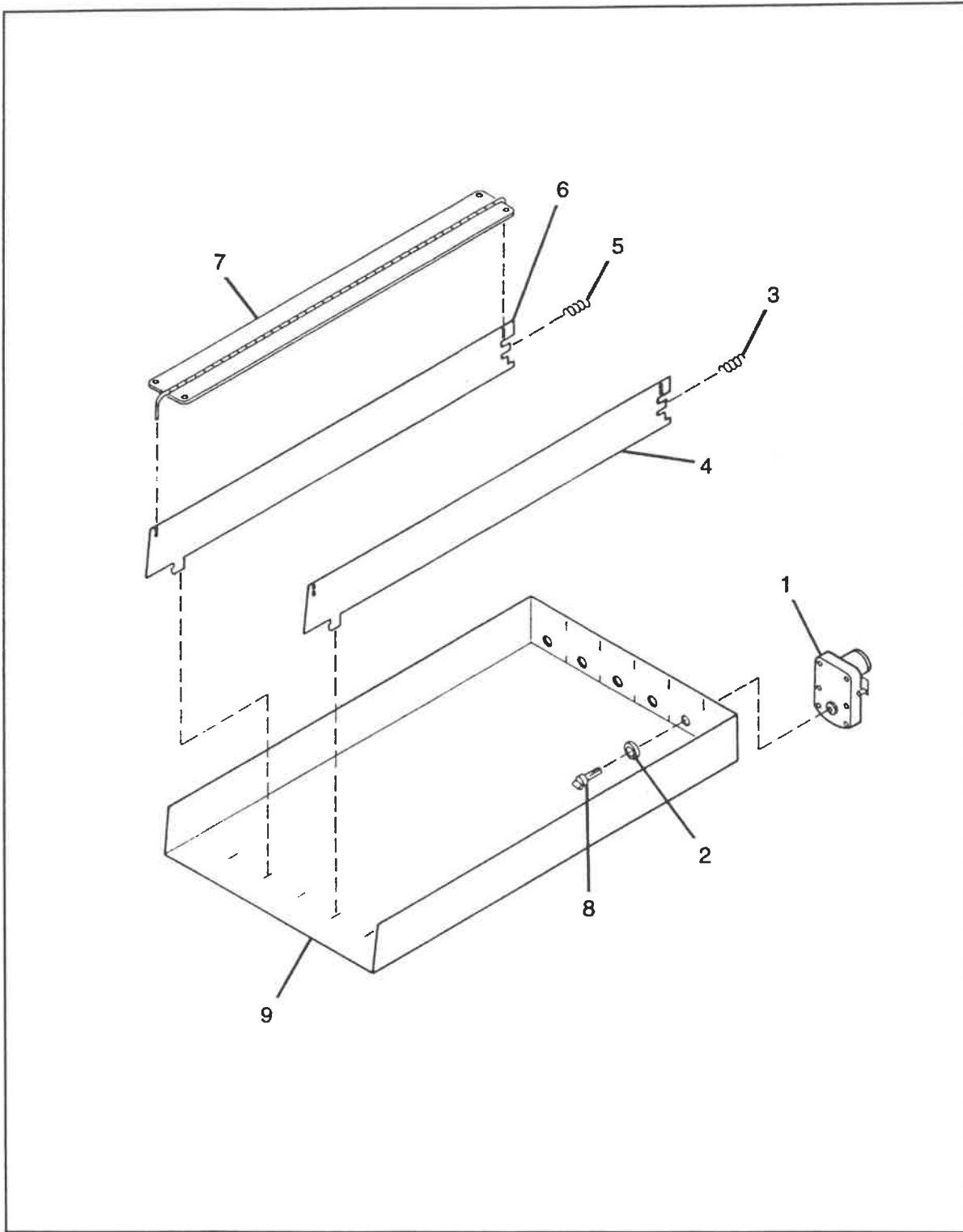


Figure 17. Spiral Module Assembly

FIGURE- INDEX NUMBER	1 2 3 4 5 6 • • • • •	DESCRIPTION	474/475/476	
			PART NO.	QTY
17		Spiral Module Assembly (See Figure 7, Index 14 for NHA)	4407800	Ref
-1		•PCB and Motor Assembly	4407802	6
-2		•Spacer - Motor	4407803	6
---		•Divider and Spring Assembly	4407807	1
-3		••Spring - Divider	4407808	1
-4		••Divider - Spiral Module	4407844	1
---		•Divider and Spacer Assembly	4407809	1
-5		••Spring - Divider	4407808	1
-6		••Divider - Spiral Module	4407844	1
-7		••Spacer - Adjustable	4407843	6
-8		•Coupling - Spiral	1477113	6
-9		•Frame Assembly - Spiral Module	4407842	1
		<u>OPTIONS (The following items are not shown)</u>		
---		•Spiral and Retainer - 5 Count/LH, Tan	4407815	1
---		••Spiral - 2.57DIA	4407816	1
---		••Retainer - Spiral	4407817	1
---		•Spiral and Retainer - 5 Count/RH, Tan	4407818	1
---		••Spiral - 2.57DIA	4407819	1
---		••Retainer - Spiral	4407817	1
---		•Spiral and Retainer - 6 Count/LH, Gm	4407820	1
---		••Spiral - 2.57DIA	4407821	1
---		••Retainer - Spiral	4407822	1
---		•Spiral and Retainer - 6 Count/RH, Gm	4407823	1
---		••Spiral - 2.57DIA	4407824	1
---		••Retainer - Spiral	4407822	1
---		•Spiral and Retainer - 7 Count/LH, Mauve	4407825	1
---		••Spiral - 2.57DIA	4407826	1
---		••Retainer - Spiral	4407827	1
---		•Spiral and Retainer - 7 Count/RH, Mauve	4407828	1
---		••Spiral - 2.57DIA	4407829	1
---		••Retainer - Spiral	4407827	1
---		•Spiral and Retainer - 9 Count/LH, Aqua	4407830	1
---		••Spiral - 2.57DIA	4407832	1
---		••Retainer - Spiral	4407833	1
---		•Spiral and Retainer - 9 Count/RH, Aqua	4407834	1
---		••Spiral - 2.57DIA	4407835	1
---		••Retainer - Spiral	4407833	1

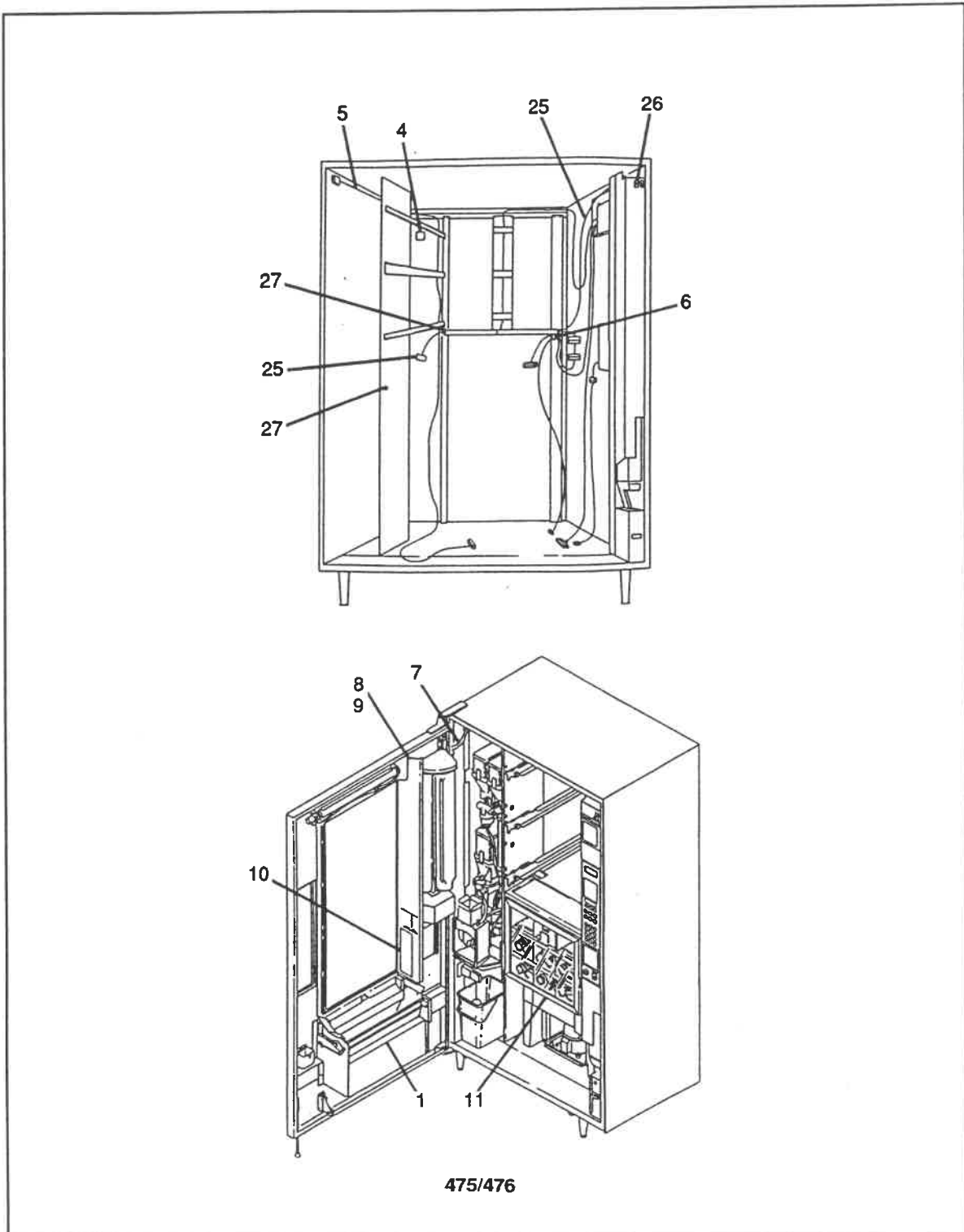


Figure 18. Frozen Food Module Option (Sheet 1 of 2)

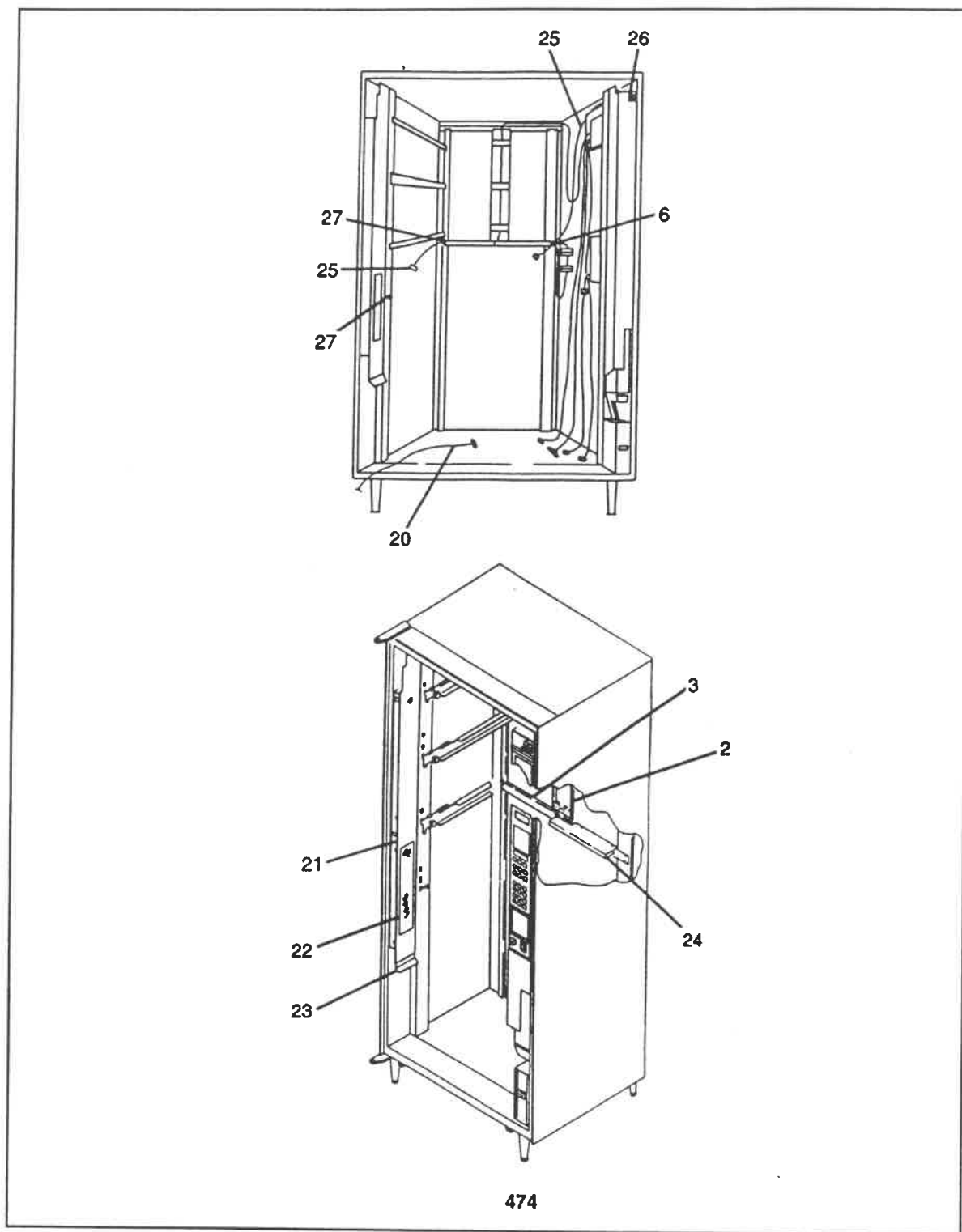


Figure 18. Frozen Food Module Option (Sheet 2 of 2)

FIGURE- INDEX NUMBER	1 2 3 4 5 6 • • • • • •	DESCRIPTION	PART NO.	474	475/6
				QTY	QTY
18		Frozen Food Module Option	-----	1	1
-1		•Delivery Pan Assembly (See Figure 2 for Breakdown)	4402018	1	1
-2		•Channel - Receptacle Mounting	4401023	1	1
		•Screw - #8-32 x .31, Hex Hd, T/F, BLK (AP)	1451097	4	4
-3		•Angle - Receptacle Mounting	4401026	1	1
		•Screw - #8-32 x .31, Hex Hd, T/F, BLK (AP)	1451097	4	4
-4		•Screen Assembly - Cabinet Back	6131041	1	1
-5		•Harness - Door To Compressor - Ref. 3 Food Module (Used on model 475/476 only)	4421002	N/A	1
-6		•Retainer - Harness, "J" Type, 3/8ID.	1452139	1	1
-7		•Harness - Delivery Pan - Ref. 3 Food Module (Used on model 475/476 only)	4422002	N/A	1
-8		•Brace - End Plate - Left (Used on model 475/476 only)	4422005	N/A	1
		•Screw - #8-32 x 3/8, THS, BLK (AP)	1170206	N/A	3
		•Nut - #8-32 KEPS (AP)	9900081	N/A	3
-9		•End Plate - Display - Left (Used on model 475/476 only)	4422006	N/A	1
		•Screw - #8-32 x .31, Hex Hd, T/F, BLK (AP)	1451097	N/A	7
-10		•Fluorescent Light Assembly (See Figure 3 for Breakdown)	4422007	N/A	1
		•Screw - #8-32 x 3/8, THS, BLK (AP)	1170206	N/A	4
-11		•Housing Assembly - Frozen Food Module and (See Figure 19 for Breakdown)	-----	1	1
-12		•Price Roll - Dollars (Not shown)	1477015	11	11
-13		•Label - Item Letters - A0 - A9 (Not shown)	1477076	1	1
-14		•Label - Item Letters - B0 - B9 (Not shown)	1477077	1	1
-15		•Label - Item Letters - C0 - C9 (Not shown)	1477078	1	1
-16		•Label - Item Letters - D0 - D9 (Not shown)	1477079	1	1
-17		•Label - Item Letters - E0 - E9 (Not shown)	1477080	1	1
-18		•Label - Item Letters - F0 - F9 (Not shown)	1477081	1	1
-19		•Price Roll - Cents (Not shown)	1477014	20	20
-20		•Harness - Delivery Pan - Ref. 2 Food Module (Used on model 474 only)	4402026	1	N/A
---		•End Plate Assembly - W/Light - LH Display (Used on model 474 only)	4401011	1	N/A
-21		••End Plate - LH Display (This part is listed here for reference only)	4401027	Ref	N/A
-22		••Fluorescent Light Assembly (See Figure 3 for Breakdown)	4401014	1	N/A
		••Screw - #8-32 x 3/8, THS, BLK (AP)	1170206	4	N/A
-23		•Deflector - Product	4401008	1	N/A
		•Screw - #8-32 x .31, Hex Hd, T/F, BLK (AP)	1451097	2	N/A
-24		•Shield - Cable	4401024	1	1
		•Screw - #8-32 x .31, Hex Hd, T/F, BLK (AP)	1451097	2	2
-25		•Harness - Glass Heater	4741212	1	1
-26		•Switch - Interlock	1211141	1	1
-27		•Retainer - Harness	2342315	2	2

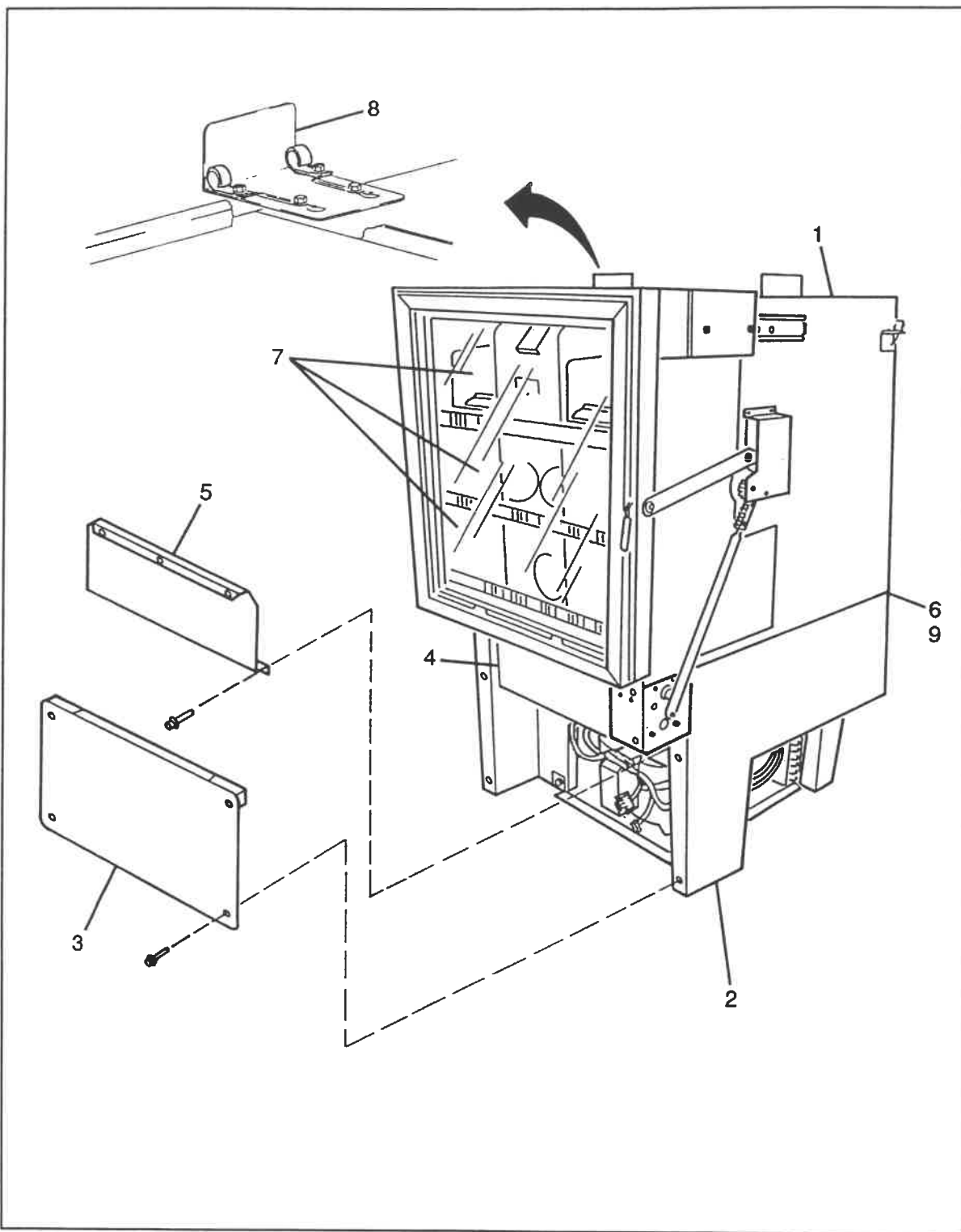


Figure 19. Frozen Food Module and Housing Assembly

FIGURE- INDEX NUMBER	1 2 3 4 5 6	DESCRIPTION	474/475/476	
			PART NO.	QTY
19		Frozen Food Module and Housing Assembly (See Figure 18, Index 11 for NHA)	-----	Ref
-1		•Food Module Assembly - Frozen - Final (See Figure 20 for Breakdown)	4747708	1
-2		•Frozen Module Assembly - Refrig. (See Figure 21 for Breakdown)	4744500	1
-3		•Cover and Seal Assembly	4741213	1
		•Screw - #8-18 x .62, Hex Hd (AP)	4727144	4
-4		•Door - Refrigeration Module	4744027	1
-5		•Retainer - Door	4744042	1
		•Screw - #8-18 x .62, Hex Hd (AP)	4727144	6
-6		•Gasket - Refrigeration Module - 55IN. LG. (Between Food Module and Refrigeration Housing)	4744017	1
-7		•Tray Assembly - Refrigerated Food Module (See Figure 7 for Breakdown)	-----	3
-8		•Bracket and Clamp Assembly	4747714	1
		•Screw - #8-18 x .62, Hex Hd (AP)	4727144	2
-9		•Gasket - Refrigeration Module (Between Food Module and Refrigeration Housing)	4404013	1

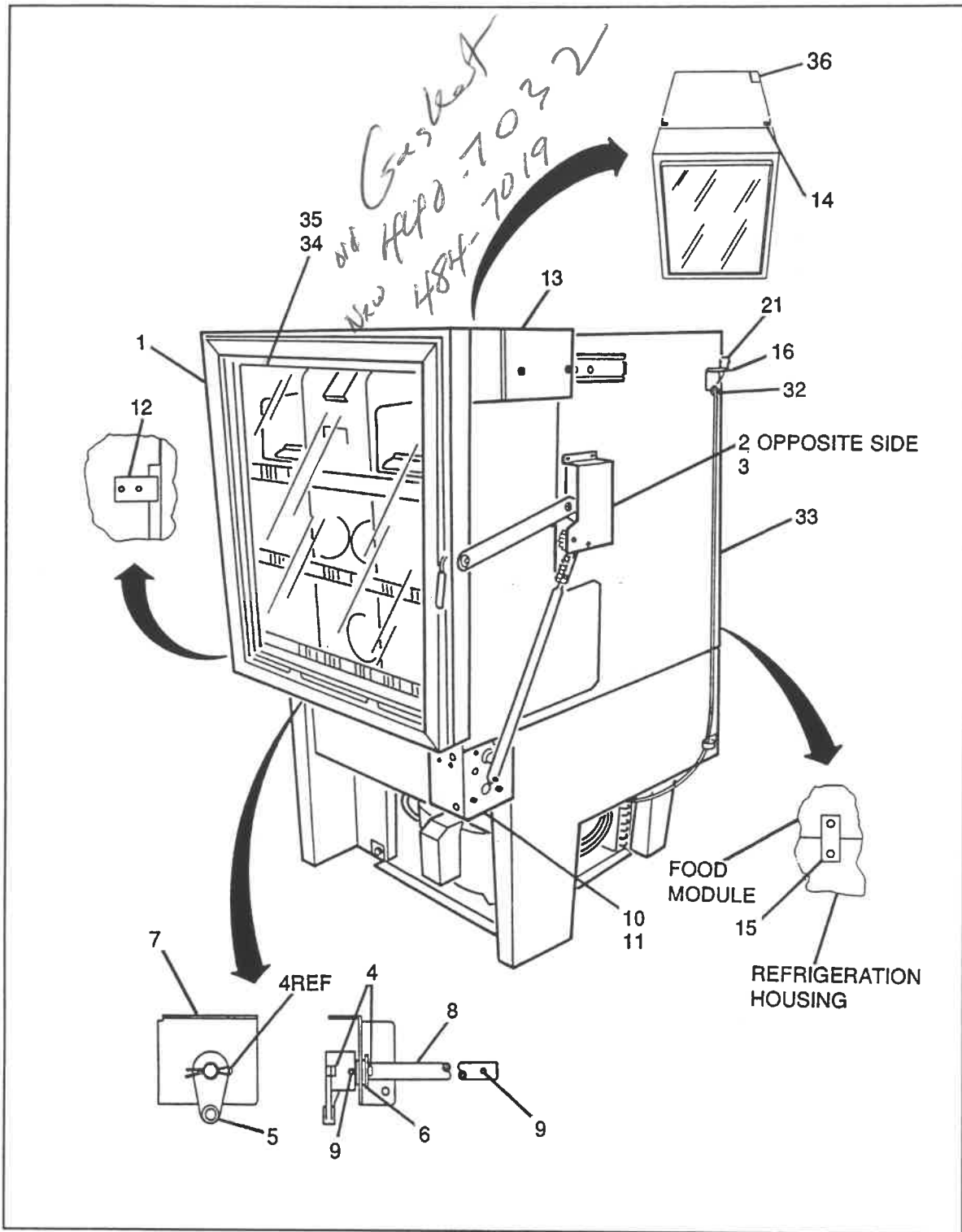


Figure 20. Frozen Food Module Assembly (Sheet 1 of 3)

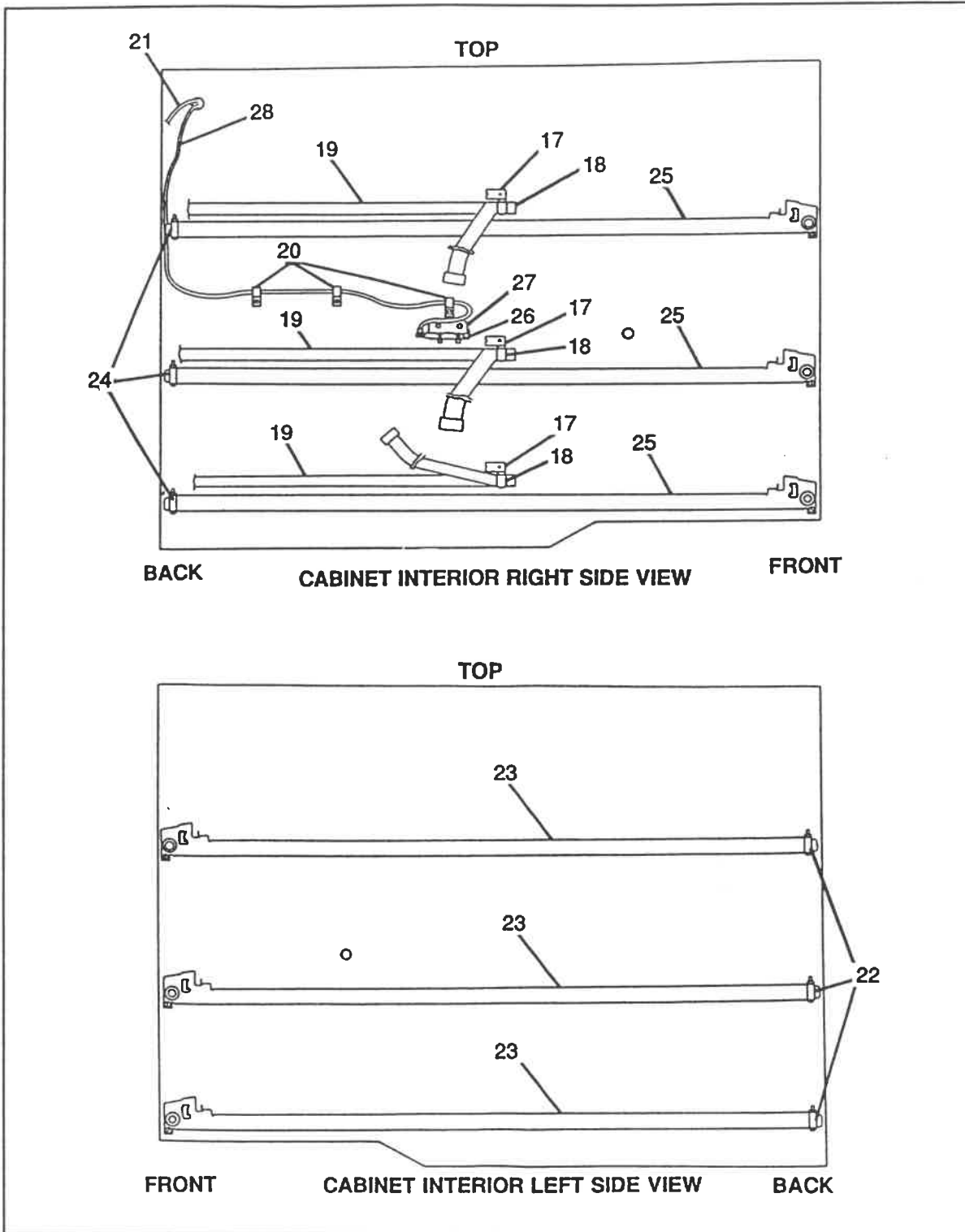


Figure 20. Frozen Food Module Assembly (Sheet 2 of 3)

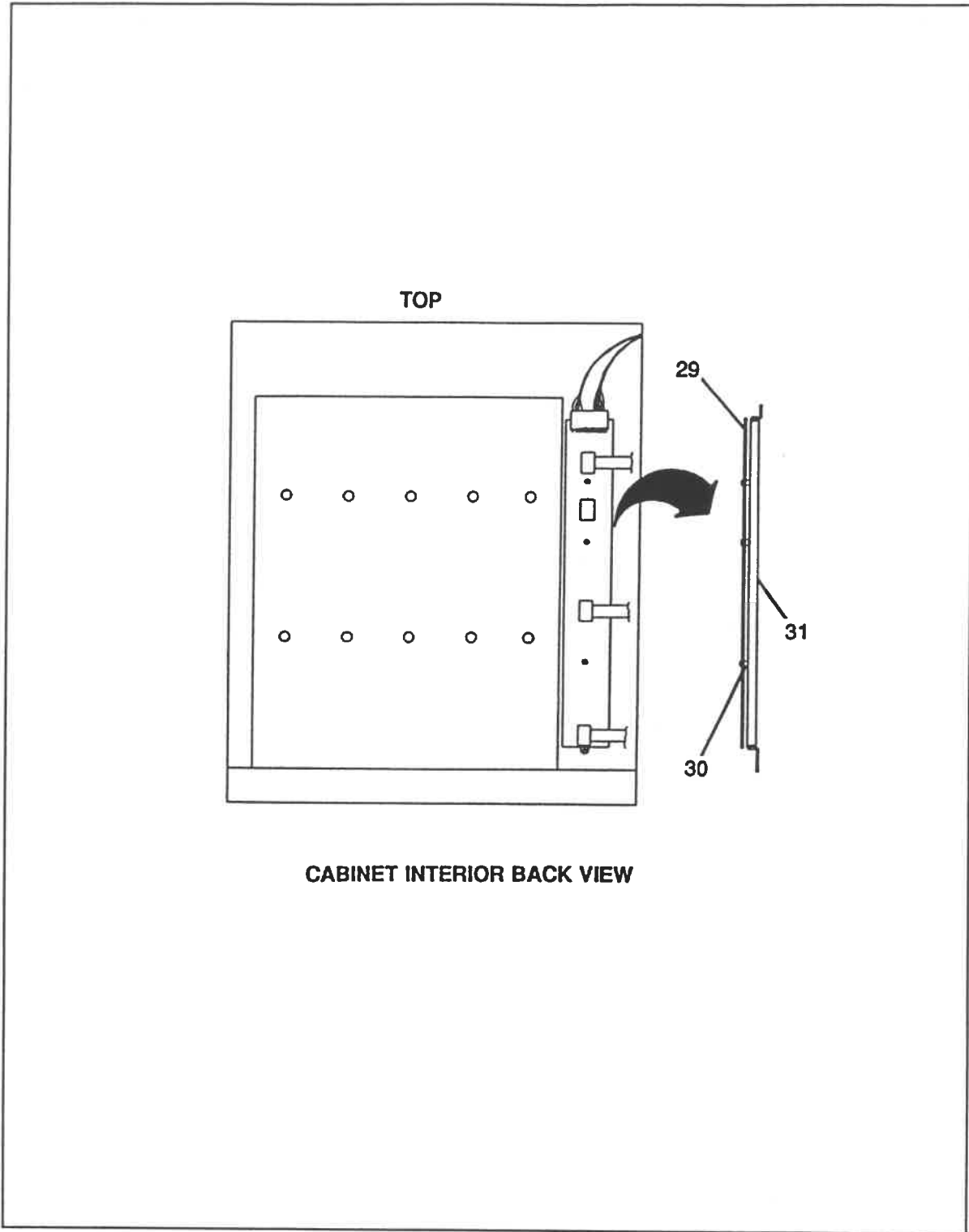


Figure 20. Frozen Food Module Assembly (Sheet 3 of 3)

FIGURE- INDEX NUMBER	1 2 3 4 5 6 • • • • •	DESCRIPTION	474/475/476	
			PART NO.	QTY
20		Food Module Assembly - Frozen - Final (See Figure 19, Index 1 for NHA)	4747708	Ref
-1		•Door Assembly - Refrigerated Food Module (See Figure 24 for breakdown)	4747704	1
		•Screw - #8-32 x 3/8, PHS, T/F (AP)	5500026	4
-2		•Drive Arm Assembly - Left Hand (See Figure 9 for breakdown)	4407052	1
		•Ring - Retaining - "E" Type - 0.25 (AP)	9900425	1
		•Ring - Retaining - "E" Type - 0.312 (AP)	9900431	1
		•Screw - #8-32 x .31, Hex Hd, T/F, BLK (AP)	1451097	4
-3		•Drive Arm Assembly - Right Hand (See Figure 10 for breakdown)	4407069	1
		•Ring - Retaining - "E" Type - 0.25 (AP)	9900425	2
		•Screw - #8-32 x .31, hex Hd, T/F, BLK (AP)	1451097	4
---		•Drive Shaft Assembly	4407086	1
		•Screw - #8-18 x 3/8, LGM (AP)	4721035	2
		•Screw - #8-18 x .62, Hex Hd (AP)	4727144	1
-4		••Pin - Cotter - 3/32 x 3/4	9900098	2
-5		••Arm - Drive	4407079	1
-6		••Bushing - Shoulder	4407012	1
-7		••Bracket - Drive Shaft	4407088	1
---		••Drive Shaft and Roll Pin	4407092	1
-8		•••Shaft - Drive	4407087	1
-9		•••Pin - Roll - 1/8 x 13/16	3127034	2
-10		•Bracket Assembly - Motor Mounting (See Figure 11 for breakdown)	4407077	1
		•Screw - #8-18 x 3/8, LGM (AP)	4721035	3
		•Screw - #8-18 x .62, Hex Hd (AP)	4727144	1
-11		•Cover - Motor Assembly	4407135	1
		•Screw - #8-32 x .31, Hex Hd, T/F, BLK (AP)	1451097	2
-12		•Guide - Door Frame Support	4407004	1
		•Screw - #8 x 3/8, Sheet Metal (AP)	4047056	2
-13		•Frame Assembly - Door (See Figure 12 for breakdown)	4747716	1
		•Screw - #8-32 x 3/8, PHS, T/F (AP)	5500026	6
-14		•Bracket - Cabinet Support	4747715	2
		•Screw - #8-18 x .62, Hex Hd (AP)	4727144	2
-15		•Mounting Strap - Module	4747062	2
		•Screw - #8-18 x 3/8, LGM (AP)	4721035	2
		•Screw - #8-18 x .62, Hex Hd (AP)	4727144	2
-16		•Bracket - Cable Plug	4407002	1
		•Screw - #8-18 x .38, LGM (AP)	4721035	2
---		•Keeper and Closure Assembly	4407012	3
		•Screw - #8-18 x .38, Stainless (AP)	4402038	1
-17		••Keeper - Harness	4407156	1
-18		••Closure - Rect.	4407014	1
-19		•Flat Cable Assembly	4402010	3
-20		•Clip - Wire Harness	2342315	4
		•Screw - #8-18 x .38, Stainless (AP)	4402038	1
-21		•Jumper - Channel PCB - Food Module	4407009	1
---		•Rail and Stop Assembly - LH	4407015	3
		•Screw - #8-18 x .38, Stainless (AP)	4402038	1

FIGURE- INDEX NUMBER	1 2 3 4 5 6 • • • • •	DESCRIPTION	474/475/476	
			PART NO.	QTY
-22		••Tube - .88LG	4407016	1
		••Screw - #10-32 x 1-1/2, RHS, Stainless (AP)	4402037	1
		••Nut - #10-32 KEPS, Stainless (AP)	6104424	1
-23		••Rail and Roller Assembly - LH	4407017	1
---		•Rail and Stop Assembly - RH	4407020	3
		•Screw - #8-18 x .38, Stainless (AP)	4402038	1
-24		••Tube - .88LG	4407016	1
		••Screw - #10-32 x 1-1/2, RHS, Stainless (AP)	4402037	1
		••Nut - #10-32 KEPS, Stainless (AP)	6104424	1
-25		••Rail and Roller Assembly - RH	4407021	1
---		•Bracket and Temperature Sensor Assembly	4747709	1
		•Screw - #8-18 x .38, Stainless (AP)	4402038	2
-26		••Sensor Assembly - Frozen Temperature	4747707	1
		••Wire Tie - Self-Clinching (AP)	4042121	2
-27		••Bracket - Temperature Sensor	4407155	1
-28		•Harness - Sensor Interface - Food Module	4747703	1
---		•Bracket and PCB Assembly	4407022	1
		•Screw - #8-18 x .38, Stainless (AP)	4402038	2
-29		••PCB Assembly - Channel - Food Module	4401000	1
		••Screw - #6-32 x 1/2, PHS, T/C, Stainless (AP)	6107240	3
		••Spacer - .38OD x .14ID x .187LG (AP)	4407025	3
-30		••Support - Circuit Board - Miniature	4407024	2
-31		••Bracket - PC Board	4407023	1
-32		•Bushing - Heyco Open/Closed	3502097	1
-33		•Housing and Liner Assembly	4747710	1
-34		•Decal - Cold/Frozen Food	4741223	1
-35		•Decal - Chilled for Freshness	4612001	1
-36		•Label - Serial Number	4741221	1

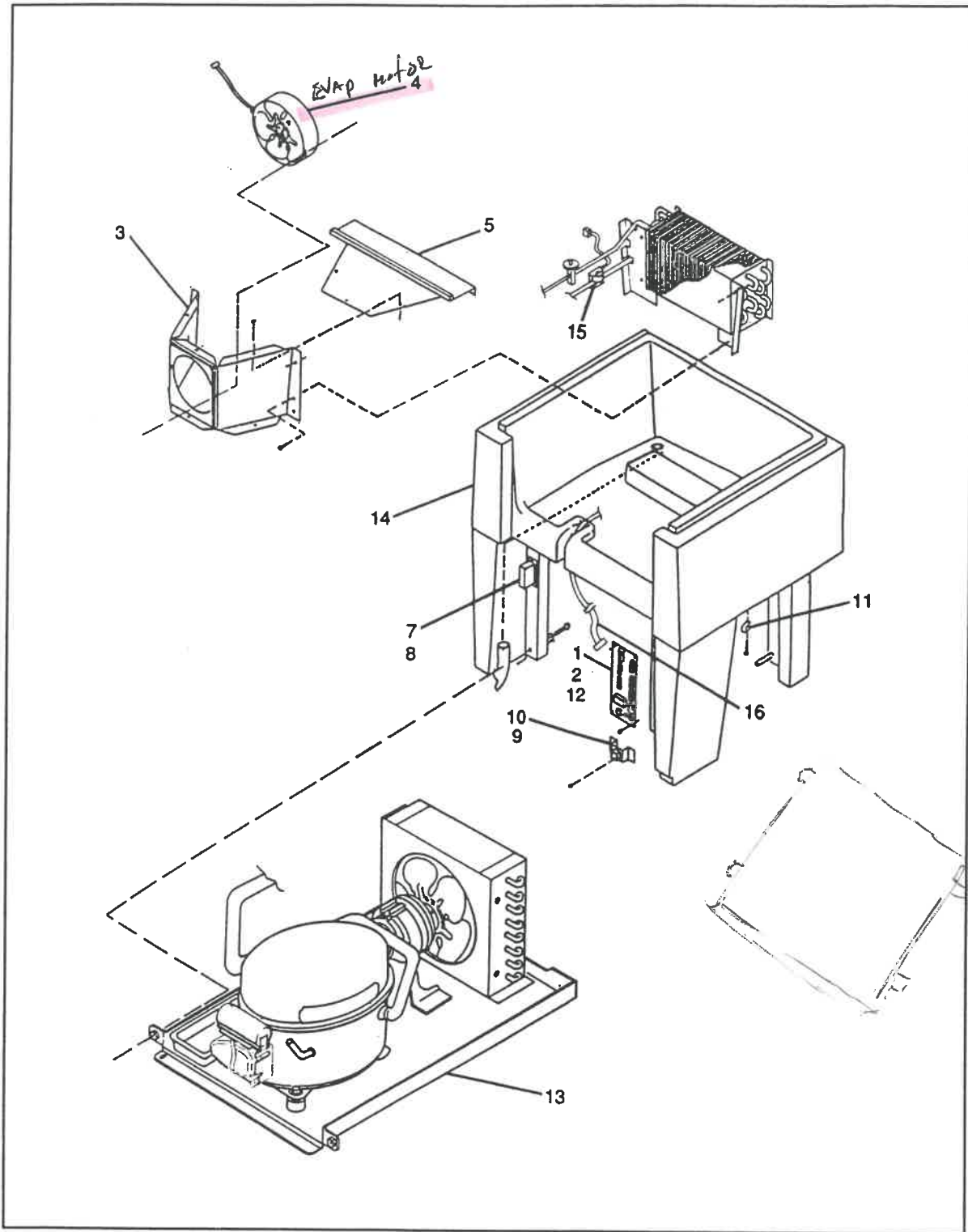


Figure 21. Refrigeration Module Assembly - Frozen - Final

FIGURE- INDEX NUMBER	1 2 3 4 5 6 • • • • • •	DESCRIPTION	474/475/476	
			PART NO.	QTY
21		Refrigeration Module Assembly - Frozen - Final (See Figure 19, Index 2 for NHA)	4744500	Ref
---		•Spacer and PCB Assembly - Interface - Frozen Food	4744514	1
		•Screw - #8-18 x 2-1/2, T/HHS (AP)	4404004	1
		•Speed Nut - Ballast (AP)	2221032	1
		•Cover - Screw Tip (AP)	3152081	1
		•Screw - #8-18 x .62, (AP)	4727144	3
-1		••PCB Assembly - Interface - Frozen	4774302	1
-2		••Spacer - Self-Retaining	4404010	6
---		•Shroud and Fan Assembly - Evaporator	4744517	1
		•Screw - #8-18 x 3/8, LGM (AP)	4721035	2
-3		••Shroud - Evaporator Fan - Freezer	4744503	1
		••Screw - #8-32 x .31, Hex Hd, T/C (AP)	1451056	4
-4		••Fan - Evaporator - Axial	4744508	1
		••Screw - #8-32 x 3/8, RHS (AP)	9900019	4
		••Nut - #8-32 KEPS (AP)	9900081	4
-5		•Shroud - Top - Freezer	4744504	1
		•Screw - #8-18 x 3/8, LGM (AP)	4721035	3
		•Seal - Top Shroud	4744519	1
---		•Bracket and Relay Assembly	4744513	1
-7		••Relay - SPDT - Refrigeration	4744510	1
		••Screw - #6-32 x 3/8, RHS, Mach (AP)	9900008	2
		••Nut - #6-32 KEPS (AP)	9900078	2
-8		••Bracket - Relay - Freezer Module	4744511	1
		••Screw - # Screw - #8-18 x 2-1/2, T/HHS (AP)	4404004	1
		••Speed Nut - Ballast (AP)	2221032	1
		••Cover - Screw Tip (AP)	3152081	1
		••Screw - #8-18 x .62, (AP)	4727144	1
---		•Triac and Support Assembly	4774018	1
		•Bolt - 1/4-20 x 3/4, Hex Hd (AP)	1141054	2
-9		••Triac	9983778	1
		••Screw - #6-32 x 3/8, RHS, Mach (AP)	9900008	2
		••Nut - #6-32 KEPS (AP)	9900078	2
-10		••Support - Triac	4774019	1
-11		•Retainer - Harness	4732024	2
-12		•Harness - Control Switch - Food Module	4404011	1
-13		•Frozen Module Assembly - Refrig. (See Figure 22 for Breakdown)	4744501	1
		•Bolt - 1/4-20 x 1-1/5, Hex Hd (AP)	3608119	2
		•Washer - Steel - 3/4OD x .264ID (AP)	1140351	4
		•Nut - 1/4-20 Self-Locking (AP)	9900184	2
-14		•Housing Assembly - Refrigeration Module (See Figure 23 for Breakdown)	4744001	1
-15		•Thermostat - Klixon - Freezer Module	4744509	1
-16		•Harness - Heater and Fan - Food Module - Freezer	4744528	1

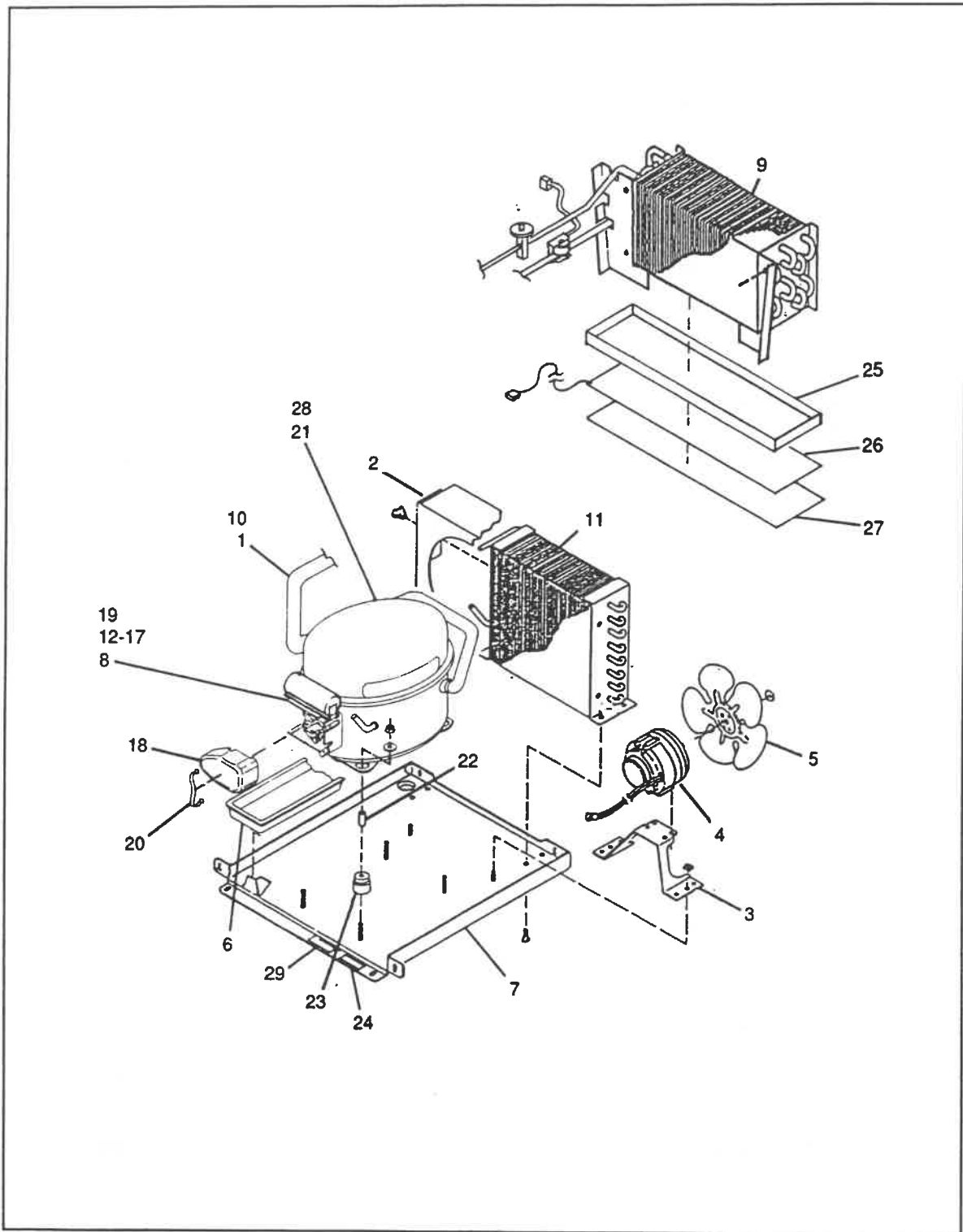


Figure 22. Refrigeration Frozen Module Assembly

FIGURE- INDEX NUMBER	1 2 3 4 5 6 • • • • •	DESCRIPTION	474/475/476	
			PART NO.	QTY
22		Refrigeration Frozen Module Assembly (See Figure 21, Index 14 for NHA)	4744501	Ref
-1		•Wiretie	2204513	4
-2		•Shroud - Condenser	3608146	1
		•Clip - Speed - Dart Style (AP)	4043082	4
-3		•Bracket - Condenser Motor	4744009	1
		•Nut #1/4-20, Keps (AP)	1211105	2
-4		•Motor - Condenser Fan	3154070	1
		•Screw - #8-32 x 3/8, Hex W/Hd (AP)	3157060	4
-5		•Blade - Condenser Fan FV-70	4744516	1
		•Nut - Speed #1/4-20 (AP)	4043122	1
-6		•Pan - Condensate	4744022	1
-7		•Base and Stud Assembly - Condensing	4744046	1
		•Bolt #1/4-20 x 1-1/2, Hex Hd (AP)	3608119	2
		•Washer - Steel - 3/4OD x .264ID (AP)	1140351	4
		•Nut - Self-locking #1/4-20 (AP)	9900184	2
-8		•Harness - Compressor	4744531	1
-9		•Evaporator and Tube Assembly	4744538	1
-10		•Tube - Compressor to Condenser	4744055	1
-11		•Condenser	4744016	1
		•Screw #8-18 x 3/8, LGM (AP)	4721035	4
---		•Compressor Package	4744518	1
-12		••Relay - 217TG20 - Freezer Compressor	4744533	1
-13		••Overload - 217TG20 - Freezer Compressor	4744534	1
-14		••Capacitor	3144046	1
-15		••Capacitor Cap	3144048	1
-16		••Spring - Overload	3144052	1
-17		••Bracket - Capacitor	3144056	1
		••Screw	3144050	1
		••Screw	3144051	2
-18		••Cover - Terminal	3144057	1
-19		••Plate - 4-hole - Offset	3144058	1
-20		••Bale Strap	3144055	1
-21		••Compressor - 115V	4744515	1
-22		••Sleeve	4724070	4
-23		••Grommet	4724066	4
-24		•Label - Caution - Refrigeration	4304001	1
-25		•Pan - Evaporator	4744529	1
-26		•Heater - Evaporator Drain	4744506	1
-27		•Plate - Evaporator	4744507	1
-28		•Label - Serial Number	4741221	1
-29		•Label - R-502	4744516	1

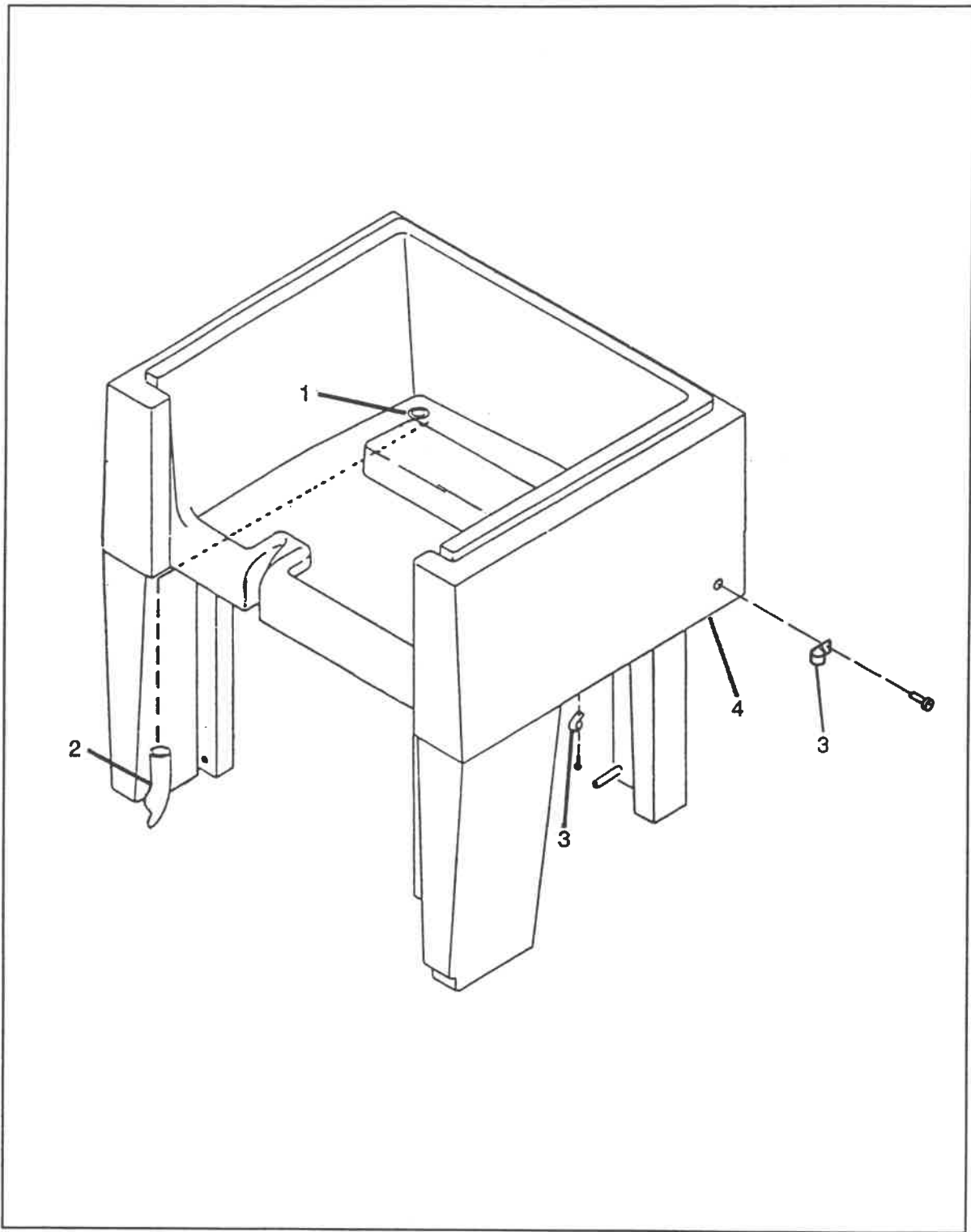


Figure 23. Frozen Module Housing Assembly

4740060

FIGURE- INDEX NUMBER	1 2 3 4 5 6 • • • • • •	DESCRIPTION	474/475/476	
			PART NO.	QTY
23		Housing Assembly - Frozen Module (See Figure 21, Index 15 for NHA)	4744001	Ref
-1		•Drain - Water Bath	3128063	1
-2		•Drain - Condensate	4301034	1
-3		•Retainer - Harness	4732024	2
		•Screw - #8-18 x 3/8, LGM (AP)	4721035	1
-4		•Housing - Refrigeration Module	4744002	1

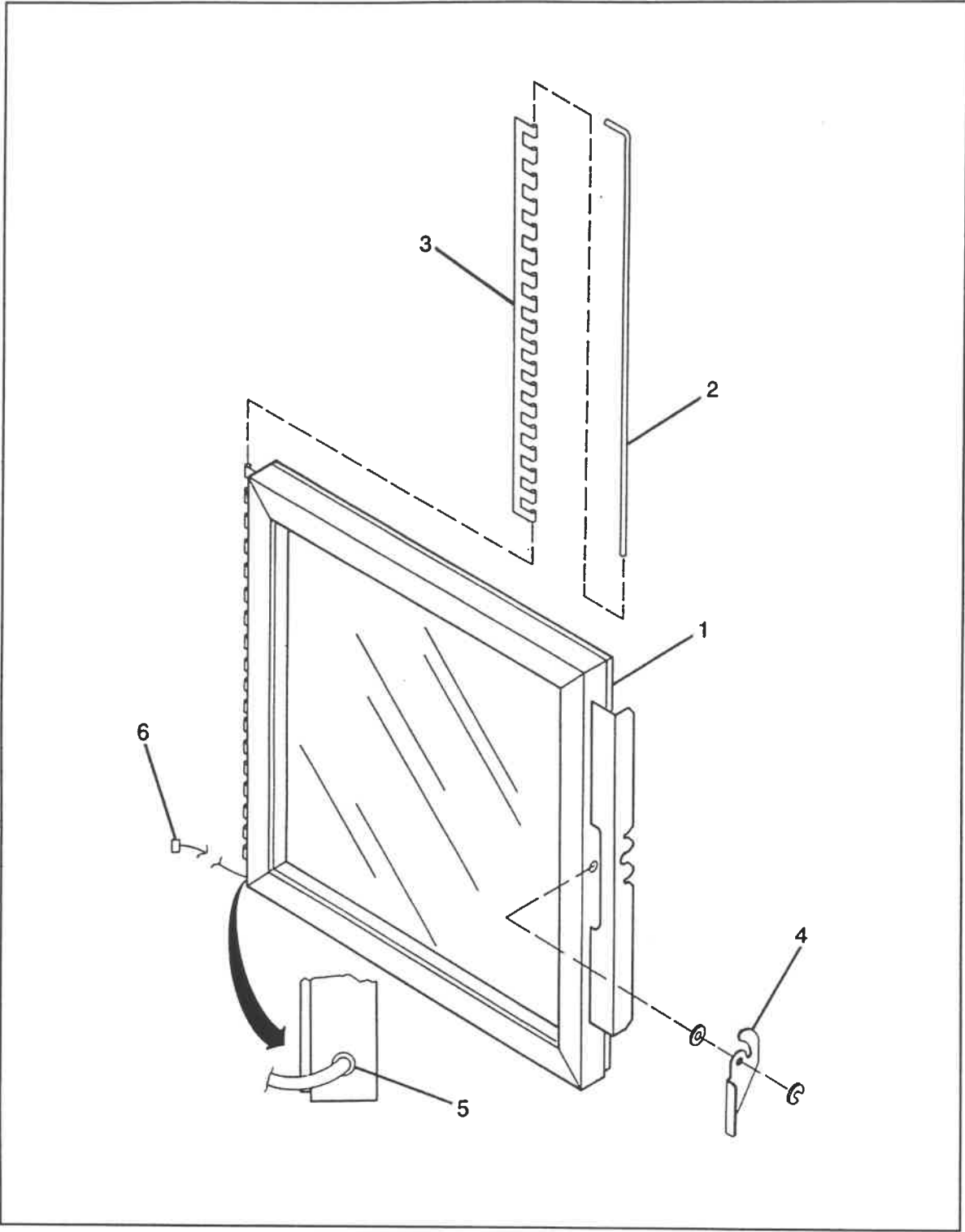


Figure 24. Frozen Food Module Door Assembly

FIGURE- INDEX NUMBER	1 2 3 4 5 6	DESCRIPTION	474/475/476	
			PART NO.	QTY
24		Door Assembly - Frozen Food Module (See Figure 20, Index 1 for NHA)	4747704	Ref
-1		•Door Assembly	-----	1
-2		•Pin - Hinge	4407120	1
-3		•Hinge - Food Module	4407132	1
-4		•Lever - Latch	4407116	1
		•Washer - Spring (AP)	5220113	1
		•Ring - Retaining - "E" Type - 0.25 (AP)	9900425	1
-5		•Bushing	4747718	1
-6		•Plug - 2 Circuit	1271057	1
		•Wire Tie - Self-clinching (Not shown)	4042121	1